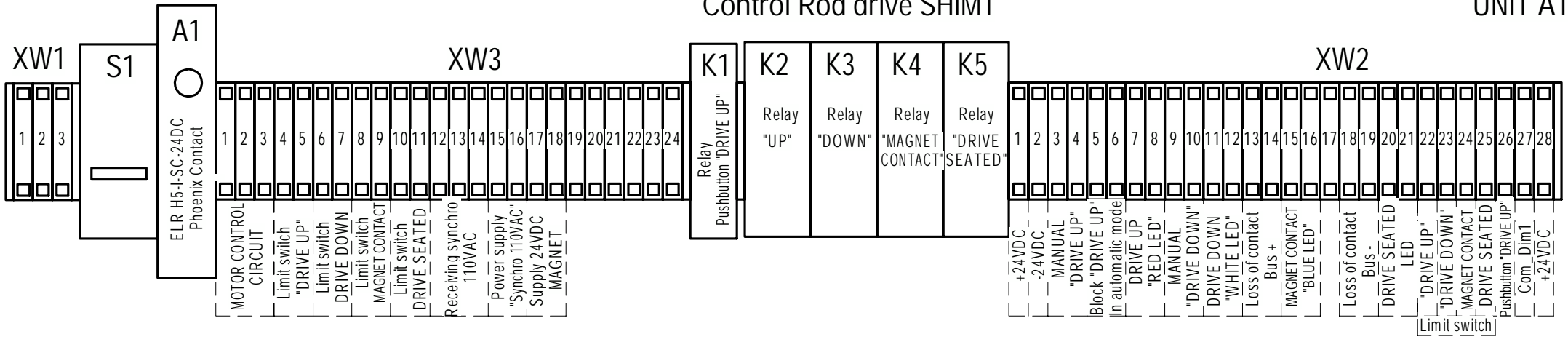
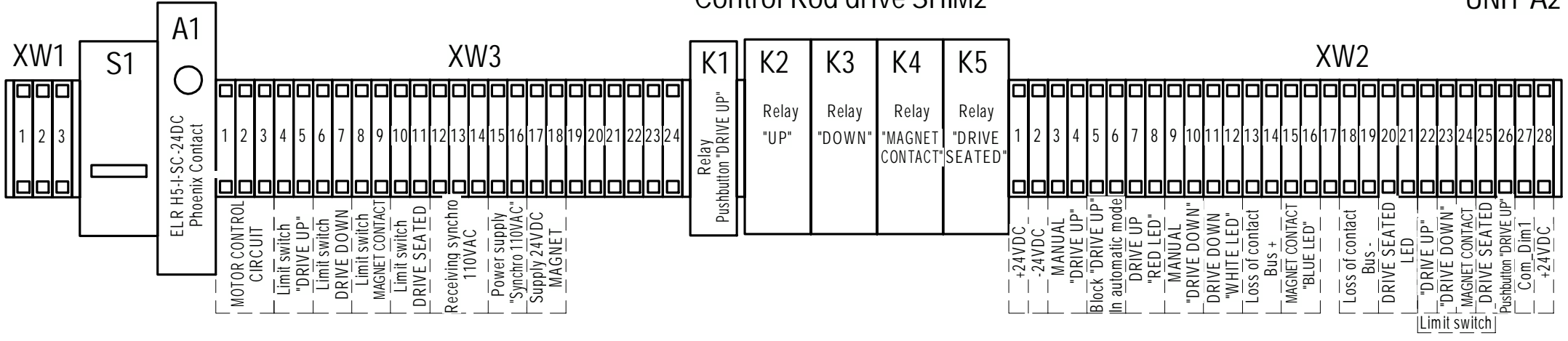


Control Rod drive SHIM1



Control Rod drive SHIM2



Control Rod drive SHIM3

