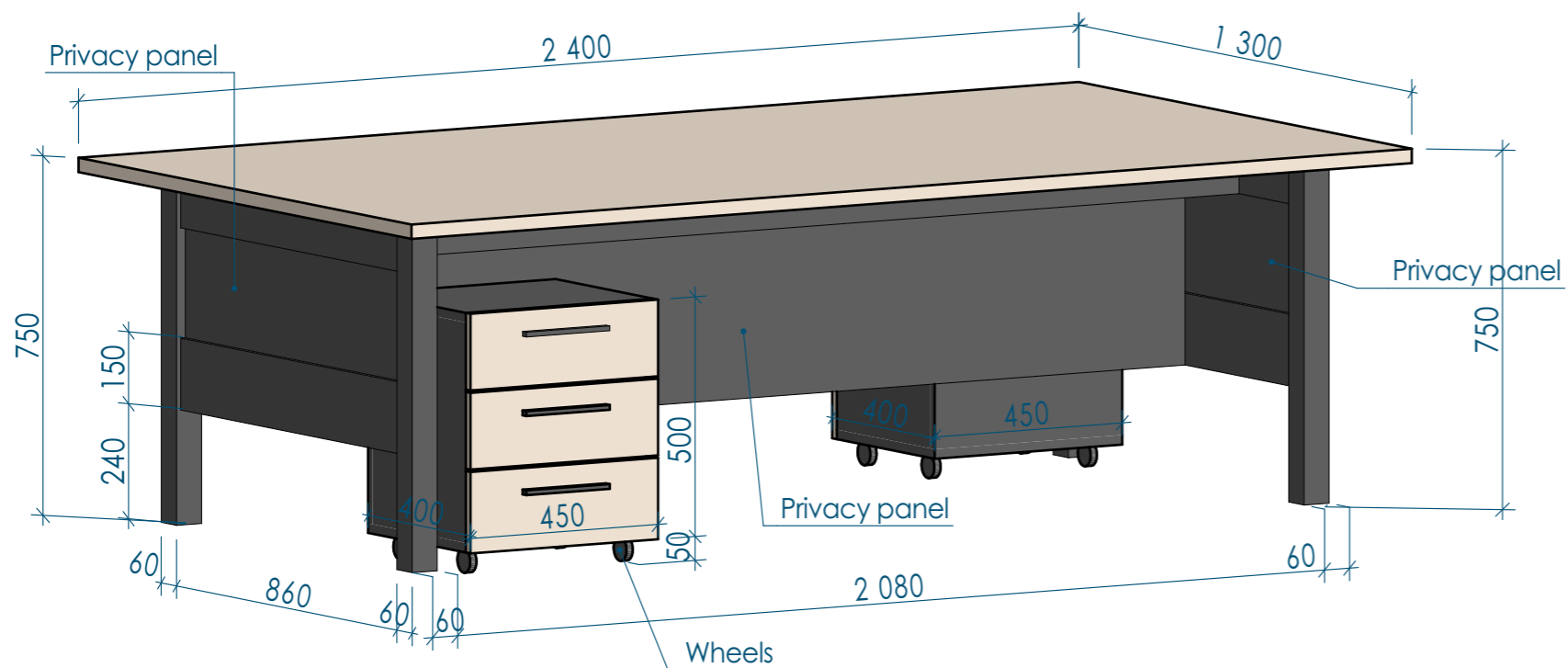
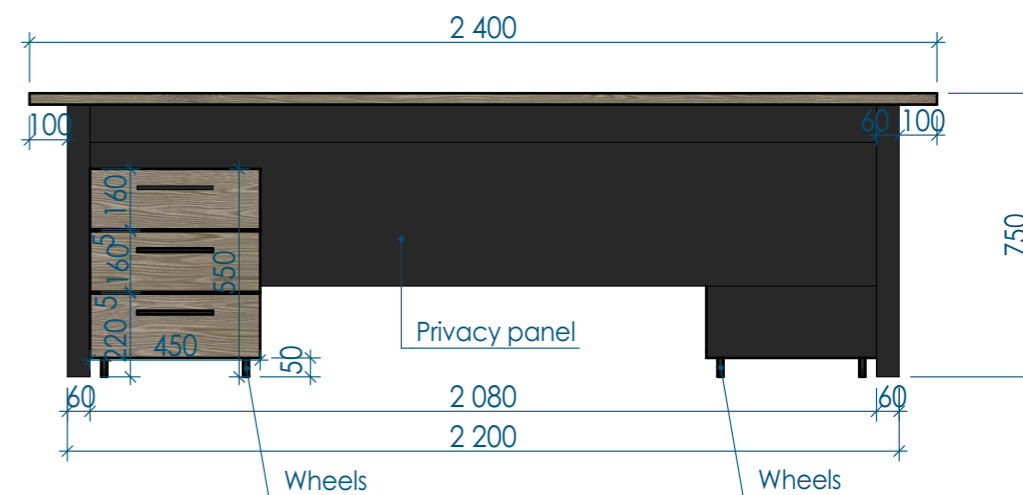


Work table

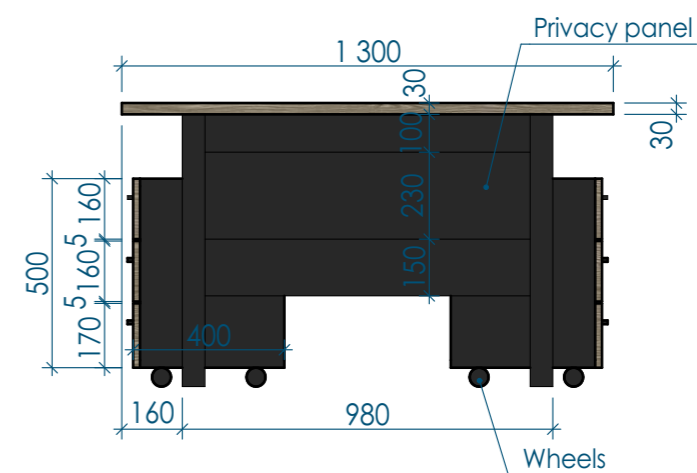
3D view



Front view



Side view



Top view

