

114 MULBERRY, MANHATTAN, NY

T-1	TITLE PAGE
EL1	Front Elevation
EL2	Rear Elevation
S1	Type 1
S2	Section A (Type 1)
S3	Type 2
S4	Section A (Type 2)
S5	Type 3
S6	Type 4
S7	Section A,B (Type 4)
S8	Type 5
S9	Section A,B,C (Type 5)
S10	Type 6
S11	Section A,B (Type 6)



*See calculation
comments*

REVIEWED
REVIEWED AS NOTED
REVISE AND RE-SUBMIT
REJECTED

10013

For conformance with design concept. Responsibility of details shall remain with the Contractor. This review shall not relieve the Contractor of responsibility for errors or omissions in this drawing or his responsibility for meeting all requirements of the Contract Documents. The Contractor is responsible for site dimensions.

KARL FISCHER, ARCHITECT
By: *KK*

Date: *01/19/18*

STATEMENT:
IT IS A VIOLATION OF THE PROFESSIONAL ETHICS OF AN ARCHITECT TO ACCEPT THE RESPONSIBILITY OF A CONTRACTOR FOR THE DESIGN OF ANY ITEM ON THESE DRAWINGS. THE ARCHITECT SHALL NOT BE RESPONSIBLE FOR THE CONTRACTOR'S FAILURE TO VERIFY THE ACCURACY OF THE INFORMATION PROVIDED BY THE CONTRACTOR. THE CONTRACTOR SHALL BE RESPONSIBLE FOR VERIFYING THE ACCURACY OF THE INFORMATION PROVIDED BY THE CONTRACTOR. THE CONTRACTOR SHALL BE RESPONSIBLE FOR VERIFYING THE ACCURACY OF THE INFORMATION PROVIDED BY THE CONTRACTOR. THE CONTRACTOR SHALL BE RESPONSIBLE FOR VERIFYING THE ACCURACY OF THE INFORMATION PROVIDED BY THE CONTRACTOR.

RCM Technologies

JOB NO 23032

PROJECT 114 Mulberry

APPROVED

REVIEWED

REVISE AS NOTED

REJECTED, RESUBMIT - *CALCS*

REVIEW NOT REQUIRED

BY BG

DATE 1/18/18

THIS DOCUMENT HAS BEEN REVIEWED FOR GENERAL CONFORMANCE WITH THE DESIGN CONCEPT ONLY.

THE REVIEW DOES NOT RELIEVE THE CONTRACTOR OR ANY SUBCONTRACTOR OF RESPONSIBILITY FOR THE COMPLIANCE WITH CONTRACT REQUIREMENTS FOR CORRECTNESS OF DIMENSIONS, CLEARANCES, AND MATERIAL QUANTITIES, FOR PROPER DESIGN OF DETAILS; FOR PROPER FABRICATION AND CONSTRUCTION TECHNIQUES; FOR PROPER COORDINATION WITH OTHER TRADES; AND FOR PROVIDING ALL DEVICES REQUIRED FOR SAFE AND SATISFACTORY CONSTRUCTION AND OPERATION.

NOTE: - FOLLOW RCM COMMENTS

- GLASS RAILING TO COMPLY WITH NYC BC 2407.1

- C.I.M TO VERIFY ALL DIMENSIONS PRIOR TO FABRICATION

EM COORDINATE BALCONY RAILING / FRENCH BALCONIES WITH DOORS.

NO.	DATE	REVISION DESCRIPTION
1	11/27/2017	
2	1/18/2018	

DRAWING TITLE:
TITLE SHEET

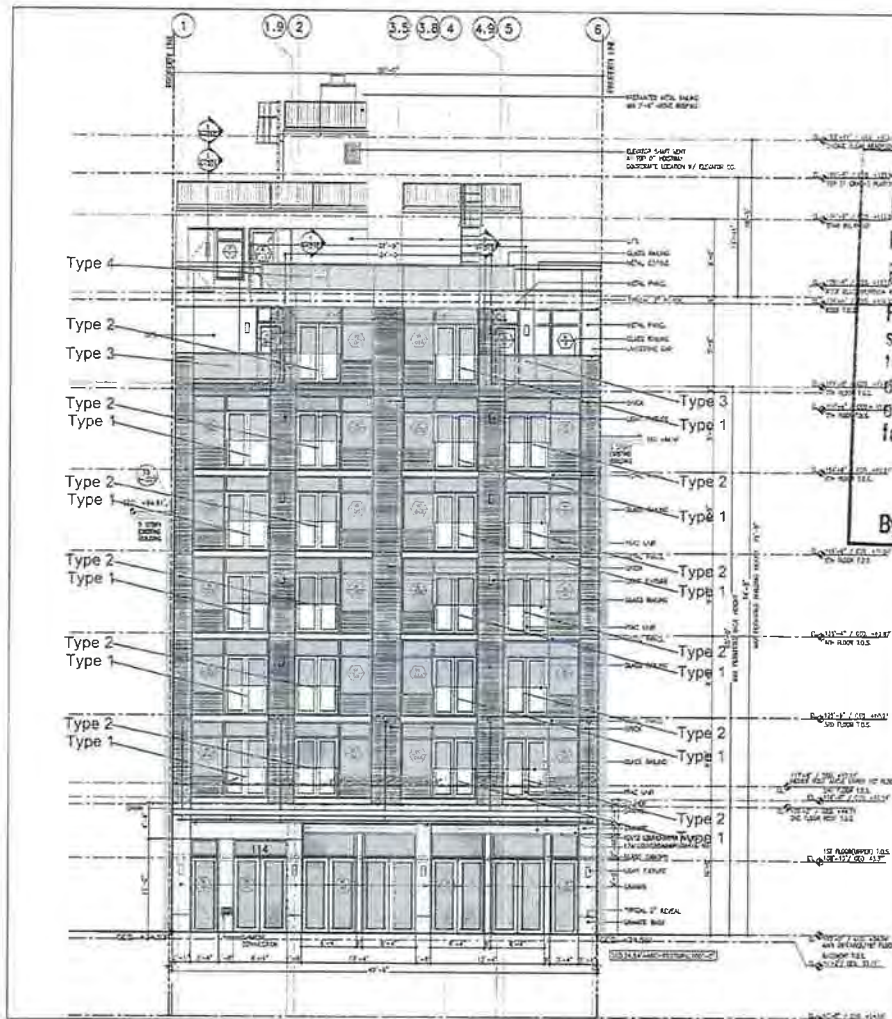
DATE: 11/27/2017

PROJECT NO:

DRAWING BY:

CHECKED BY:

DRAWING NO. T-001



NO	DATE	REVISION DESCRIPTION
1	11/27/2017	
2	1/19/18	

REVIEWED
 REVIEWED AS NOTED
 REVISE AND RE-SUBMIT
 REJECTED

For conformance with design concept, Revisions shall be made to the drawing of this facade to conform with the Central Departments. The Contractor is responsible for site dimensions.

KARL FISCHER, ARCHITECT
 By: **KK**

STATEMENT:
 IT IS A VIOLATION OF THE LAW FOR ANY PERSON, UNLESS ACTING UNDER THE DIRECTION OF A LICENSED ENGINEER-ARCHITECT, TO ALTER IN ANY WAY ANY ITEM ON THESE DRAWINGS. IF ANY ITEM BEARING THE SEAL OF AN ENGINEER-ARCHITECT IS ALTERED, THE ALTERING ENGINEER-ARCHITECT SHALL AFFIX TO THIS ITEM THEIR SEAL AND THE NOTATION (ALTERED BY: FOLLOWED BY THE NAME OF THE ALTERING ENGINEER-ARCHITECT) ON THE DRAWING.

APPROVED
 REVIEWED AS NOTED
 REJECTED/RESUBMIT
 REVIEW NOT REQUIRED

Date: **01/19/18**

114 MULBERRY, 1001
 MANHATTAN, NY 10013

DRAWING TITLE:
 Front Elevation

DATE: 11/27/2017
 PROJECT NO.:
 DRAWING NO.:
 CHECKED BY:

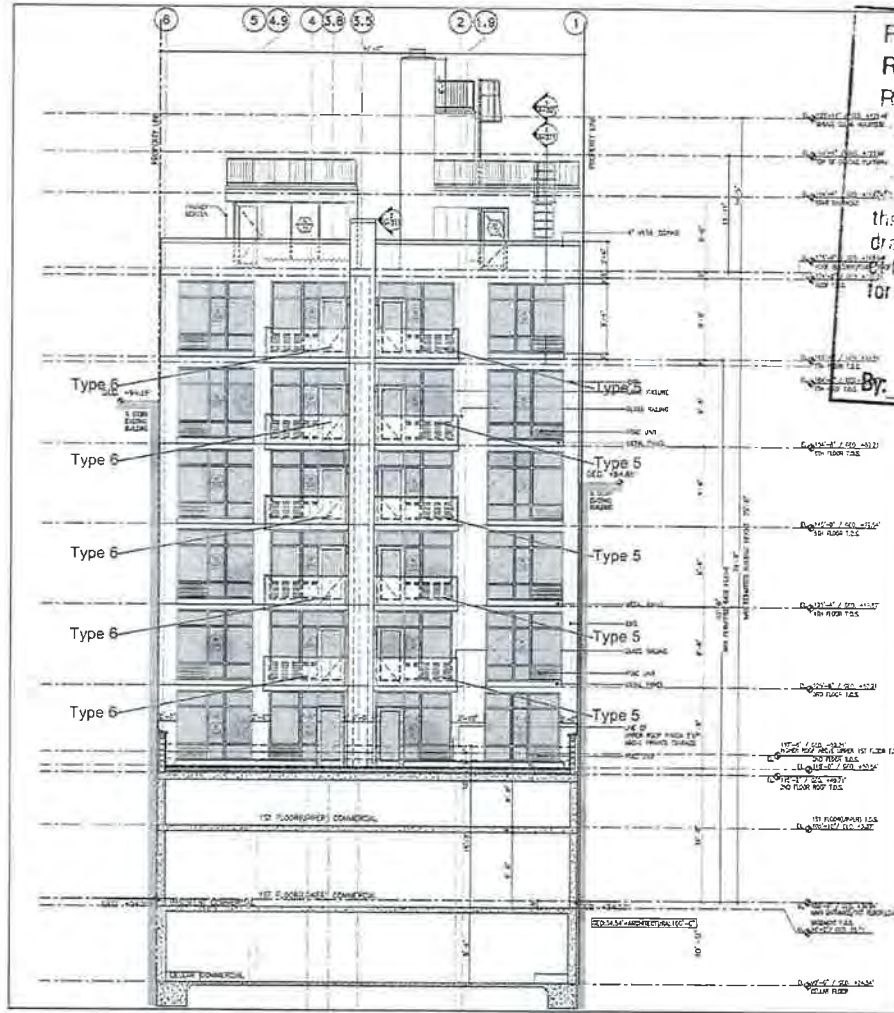
DRAWING NO: **EL-1**

RCM Technologies
 JOB NO. 10040
 PROJECT 114 Mulberry

APPROVED
 REVIEWED
 REVISE AS NOTED
 REJECTED/RESUBMIT
 REVIEW NOT REQUIRED

BY:
 DATE:
 THIS DOCUMENT HAS BEEN REVIEWED FOR CONFORMANCE WITH THE DESIGN CONCEPT ONLY.

THE REVIEWER DOES NOT RELIEVE THE CONTRACTOR OR ANY SUBCONTRACTOR OF RESPONSIBILITY FOR THE ACCURACY OF DIMENSIONS, CLEARANCES, AND MATERIAL QUANTITIES. FOR FURTHER CLARIFICATION OF DETAILS, FOR MATERIAL SPECIFICATIONS AND CONSTRUCTION METHODS, FOR PROPER COORDINATION WITH OTHER TRADES AND FOR PROVIDING ALL DETAILS REQUIRED FOR DATE AND SPECIFICATIONS, CONSULT THE CONTRACT DOCUMENTS.



REVIEWED
 REVIEWED AS NOTED
 REVISE AND RE-SUBMIT

NO.	DATE	REVISION DESCRIPTION
1		
2	1/11/2018	

Responsibility of details
 This drawing is the responsibility of the Architect. The Contractor is responsible for the details of the work shown on these drawings. The Contractor shall be responsible for the details of the work shown on these drawings. The Contractor shall be responsible for the details of the work shown on these drawings.

KARL FISCHER, ARCHITECT

By: **KK**

ALL DRAWINGS ARE TO BE READ
 Date: **01/11/18**

114 MULBERRY,
 MANHATTAN, NY 10013

DRAWING TITLE:
 Rear Elevation

RCM Technologies
 JOB NO. **114050**
 PROJECT **114 Mulberry City**

APPROVED
 REVISED
 REVISE AS NOTED
 SELECTED RE-SUBMIT
 REVISION NOT REQUIRED

BY:
 DATE

THIS DOCUMENT HAS BEEN REVIEWED FOR GENERAL CONFORMANCE WITH THE DESIGN CONCEPT ONLY.

THE REVIEW DOES NOT ASSURE THE CONTRACTOR OR ANY SUBCONTRACTOR OF RESPONSIBILITY FOR THE COMPLIANCE WITH CONTRACT REQUIREMENTS FOR COMPLETION OF DIMENSIONS, QUANTITIES AND MATERIALS. QUANTITIES FOR PROPER DESIGN OF DETAILS FOR PROPER INSTALLATION AND CONSTRUCTION REQUIREMENTS FOR PROPER COORDINATION WITH OTHER TRADES AND FOR PROVIDING ALL DETAILS REQUIRED FOR SAFE AND SATISFACTORY CONSTRUCTION AND OPERATION.

DATE: **11.22.2017**
 PROJECT NO.
 DRAWING BY
 CHECKED BY

DRAWING NO.
EL-2

NO.	DATE	REVISION DESCRIPTION
1	11/27/2017	
2	1/8/2018	

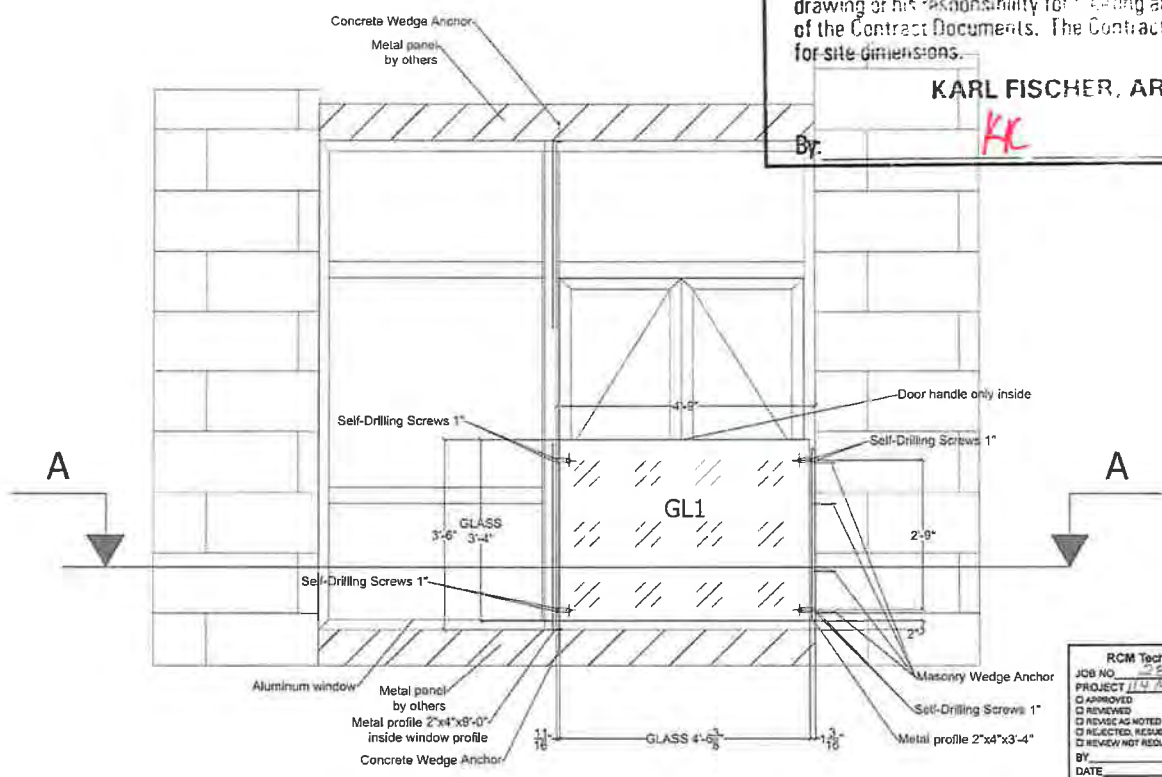
REVIEWED
REVIEWED AS NOTED
REVISE AND RE-SUBMIT
REJECTED

For conformance with design concept. Responsibility shall remain with the contractor. This review shall not constitute approval of the drawing or his responsibility for meeting all requirements of the Contract Documents. The Contractor is responsible for site dimensions.

KARL FISCHER, ARCHITECT
 By: *KK*
 Date: *01/19/18*

STATEMENT: IT IS A VIOLATION OF THE LAW FOR ANY PERSON, INCLUDING AN ARCHITECT, TO ACT UNDER THE SEAL OF AN ARCHITECT OR LICENSED ENGINEER OR ARCHITECT TO ALTER IN ANY WAY ANY PART OF THESE DRAWINGS IF THE PERSON BEARING THE SEAL OF AN ARCHITECT OR LICENSED ENGINEER OR ARCHITECT IS ALTERED, THE PERSON BEARING THE SEAL OF AN ARCHITECT OR LICENSED ENGINEER OR ARCHITECT SHALL BE RESPONSIBLE FOR SUCH ALTERATION, ALONG WITH A SPECIFIC DESCRIPTION OF THE ALTERATION ON THE DRAWING.

Type 1
 11 pc



114 MULBERRY,
 MANHATTAN, NY 10013

DRAWING TITLE:
 Type 1

RCM Technologies
 JOB NO. *20020*
 PROJECT *114 Mulberry*

APPROVED
 REVISED
 REVISE AS NOTED
 REJECTED, REQUIRING
 REVIEW NOT REQUIRED

BY:
 DATE:

THIS DOCUMENT HAS BEEN REVIEWED FOR GENERAL CONFORMANCE WITH THE DESIGN CONCEPT ONLY.

THE REVIEW DOES NOT RELIEVE THE CONTRACTOR OR ANY SUBCONTRACTOR OF RESPONSIBILITY FOR THE COMPLIANCE WITH CONTRACT REQUIREMENTS FOR CORRECTNESS OF DIMENSIONS, QUANTITIES AND MATERIAL QUANTITIES, FOR PROPER DESIGN OR INSTALL FOR PROPER FABRICATION AND CONSTRUCTION TECHNIQUES FOR PROPER COORDINATION WITH OTHER TRADES AND FOR PROVIDING ALL SERVICES REQUIRED FOR SAFE AND SATISFACTORY CONSTRUCTION AND OPERATION.

DATE: 11/27/2017
 PROJECT NO.
 DRAWING BY:
 CHECKED BY:

DRAWING NO.
S1

NO. DATE REVISION DESCRIPTION

1 11/27/2017

REVIEWED
REVIEWED AS NOTED
REVISE AND RE-SUBMIT
REJECTED

For conformance with design concept Responsibility shall remain with the Contractor. This review shall not constitute an approval of the Contractor's design or drawings or his responsibility for meeting all requirements of the contract documents. The Contractor is responsible for site observations.

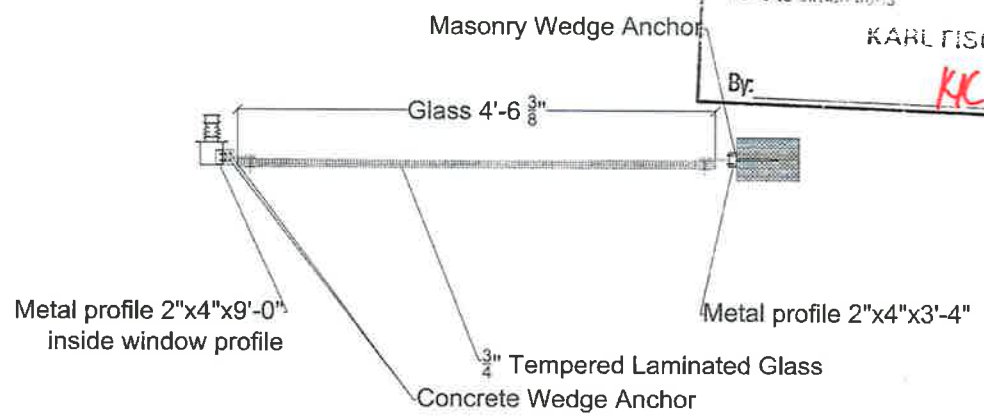
STATEMENT OF THE LAW FOR ANY PERSON UNLESS WORKING UNDER THE ORIGINAL SEAL OF AN ENGINEER/ARCHITECT, TO ALTER IN ANY MANNER THESE DRAWINGS IF AN ITEM BEARING THE SEAL OF AN ARCHITECT IS ALTERED, THE ARCHITECT/ENGINEER/ARCHITECT SHALL NOT BE HELD RESPONSIBLE FOR SUCH ALTERATION, FOLLOWED BY HIS/HER SIGNATURE AND THE DATE OF SUCH ALTERATION, ALONG WITH A SPECIFIC DESCRIPTION OF THE ALTERATION ON THE DRAWING.

KARL FISCHER, ARCHITECT

By: *KC*

Date: *01/19/18*

A-A



114 MULBERRY,
MANHATTAN, NY 10013

DRAWING TITLE:
Section A-A
(type 1)

DATE 11/27/2017
PROJECT NO.
DRAWING BY
CHECKED BY

DRAWING NO. S2

RCM Technologies
JOB NO. *10052*
PROJECT *114 Mulberry*

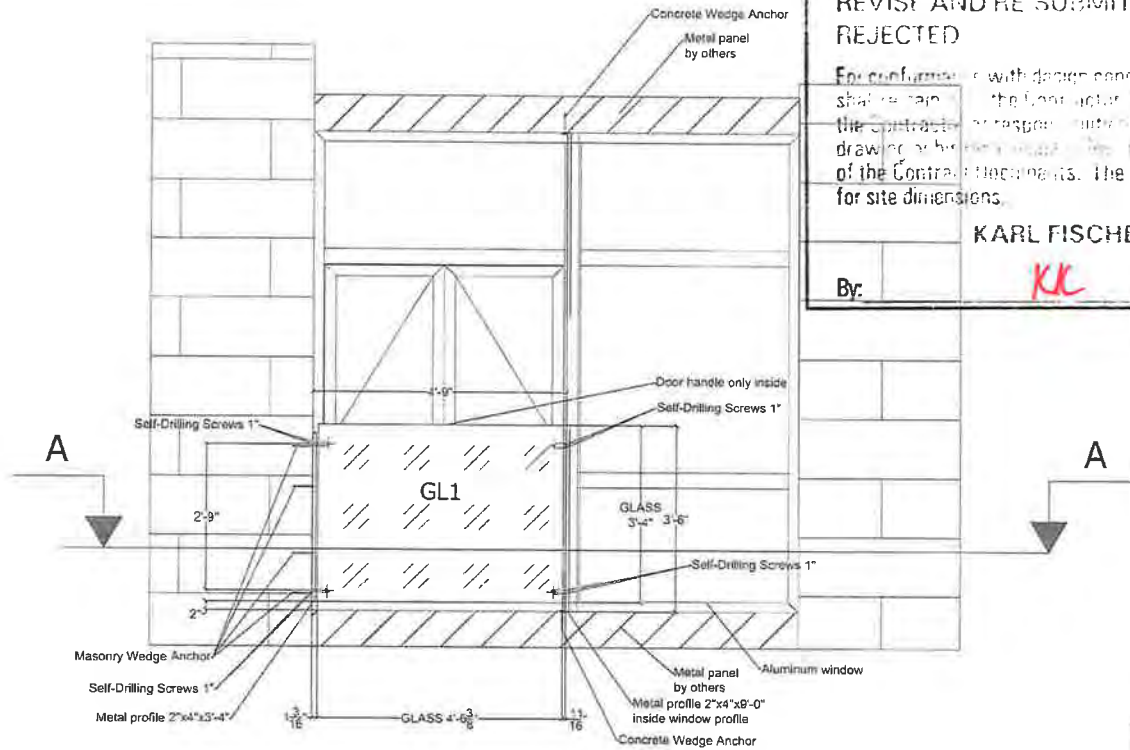
APPROVED
 REVIEWED
 REVIEWED AS NOTED
 REJECTED, RESUBMIT
 REVIEW NOT REQUIRED

DATE
BY

THIS DOCUMENT HAS BEEN REVIEWED FOR GENERAL CONFORMANCE WITH THE DESIGN CONCEPT ONLY.

THE REVIEW DOES NOT REMOVE THE CONTRACTOR OR ANY SUBCONTRACTOR OF RESPONSIBILITY FOR THE COMPLIANCE WITH CONTRACT REQUIREMENTS FOR CORRECTNESS OF DIMENSIONS, CLEARANCES, AND MATERIAL QUANTITIES, FOR PROPER DESIGN OF DETAILS FOR PROPER INSTALLATION AND CONSTRUCTION TECHNIQUES FOR PROPER COMPLETION WITH OTHER TRADES AND FOR PROVIDING ALL DETAILS REQUIRED FOR SAFE AND SATISFACTORY CONSTRUCTION AND OPERATION.

Type 2
11 pc



REVIEWED
REVIEWED AS NOTED
REVISE AND RE-SUBMIT
REJECTED

For performance with design concept. Responsibility of shall remain the Contractor. The Contractor is responsible for the drawing of the Contractor. The Contractor is responsible for site dimensions.

KARL FISCHER, ARCHITECT

By: *KK* Date: *01/19/18*

STATEMENT: IT IS A VIOLATION OF THE LAW FOR ANY PERSON, UNLESS ACTING UNDER THE DIRECTION OF A LICENSED ARCHITECT, TO ALTER IN ANY WAY ANY ITEM ON THESE DRAWINGS WITHOUT OBTAINING THE SEAL OF AN ENGINEER-ARCHITECT. IF ALTERED, THE ARCHITECT/ENGINEER/ARCHITECT SHALL AFFIX TO THEIR ITEM THEIR SEAL AND THE NOTATION "ALTERED BY" FOLLOWED BY HIS/HER SIGNATURE AND THE DATE OF EACH ALTERATION, ALONG WITH A SPECIFIC DESCRIPTION OF THE ALTERATION ON THE DRAWING.

ALL DRAWINGS ARE TO BE READ

NO.	DATE	REVISION DESCRIPTION
1	11/27/2017	
2	1/16/2018	

114 MULBERRY,
MANHATTAN, NY 10013

RCM Technologies

JOB NO. *25055*

PROJECT *114 Mulberry*

APPROVED

REVIEWED

REVISE AS NOTED

REJECTED, RE-REQUEST

REVIEW NOT REQUIRED

BY: _____

DATE: _____

THIS DOCUMENT HAS BEEN REVIEWED FOR GENERAL CONFORMANCE WITH THE DESIGN CONCEPT.

THE REVIEW DOES NOT RELIEVE THE CONTRACTOR OR ANY SUBCONTRACTOR OF RESPONSIBILITY FOR THE COMPLIANCE WITH CONTRACT REQUIREMENTS FOR CORRECTNESS OF DIMENSIONS, QUANTITIES AND MATERIALS QUANTITIES. FOR PROPER SELECTION OF DETAILS, FOR PROPER FABRICATION AND CONSTRUCTION TOWARDS THE PROPER COORDINATION WITH OTHER TRADES AND FOR PROVIDING ALL SERVICES NECESSARY FOR SAFE AND SATISFACTORY CONSTRUCTION AND OPERATION.

DRAWING TITLE: Type 2

DATE: 11/27/2017

PROJECT NO. _____

DRAWN BY: _____

CHECKED BY: _____

DRAWING NO. S3

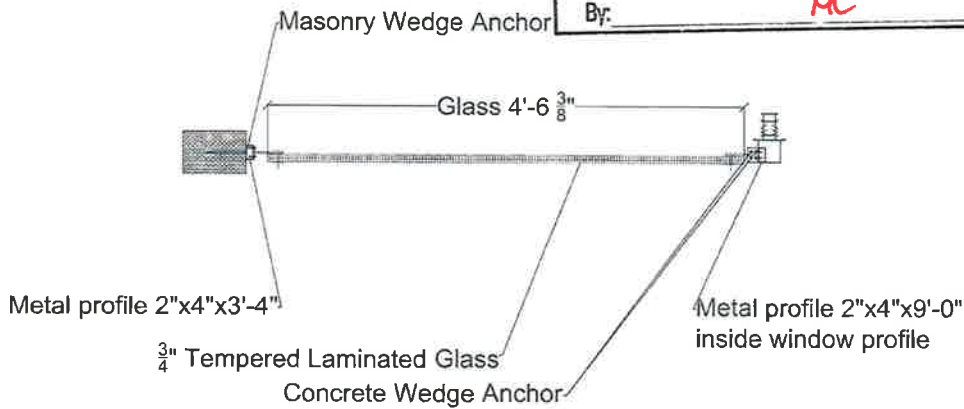
A-A

REVIEWED
 REVIEWED AS NOTED
 REVISE AND RE-SUBMIT
 REJECTED

For compliance with design concept. Responsibility of details shall be on the Contractor. This review shall not relieve the Contractor of responsibility for errors or omissions in this drawing or his responsibility for meeting all requirements of the Contract Documents. The Contractor is responsible for site dimensions.

KARL FISCHER, ARCHITECT

By: *KFC* Date: *01/19/18*



NO.	DATE	REVISION DESCRIPTION
1	11/27/2017	
2	1/6/2018	

STATEMENT:
 IT IS A VIOLATION OF THE LAW FOR ANY PERSON, UNLESS ACTING UNDER THE DIRECTION OF A LICENSED ENGINEER/ARCHITECT, TO ALTER IN ANY WAY ANY ITEM ON THESE DRAWINGS IF AN ITEM BEARING THE SEAL OF AN ENGINEER/ARCHITECT IS ALTERED. THE ALTERING ENGINEER/ARCHITECT SHALL AFFIX TO THEIR ITEM THEIR SEAL AND THE NOTATION "ALTERED BY," FOLLOWED BY HIS/HER SIGNATURE AND THE DATE OF SUCH ALTERATION, ALONG WITH A SPECIFIC DESCRIPTION OF THE ALTERATION ON THE DRAWING.

ALL DRAWINGS ARE TO BE READ

114 MULBERRY,
 MANHATTAN, NY 10013

DRAWING TITLE:
 Section A-A
 (type 2)

DATE: 11/27/2017
 PROJECT NO:
 DRAWN BY:
 CHECKED BY:

DRAWING NO. S4

RCM Technologies

JOB NO. *114*

PROJECT *114 Mulberry*

APPROVED
 REVIEWED
 REVISE AS NOTED
 REJECTED, RESUBMIT
 REVIEW NOT REQUIRED

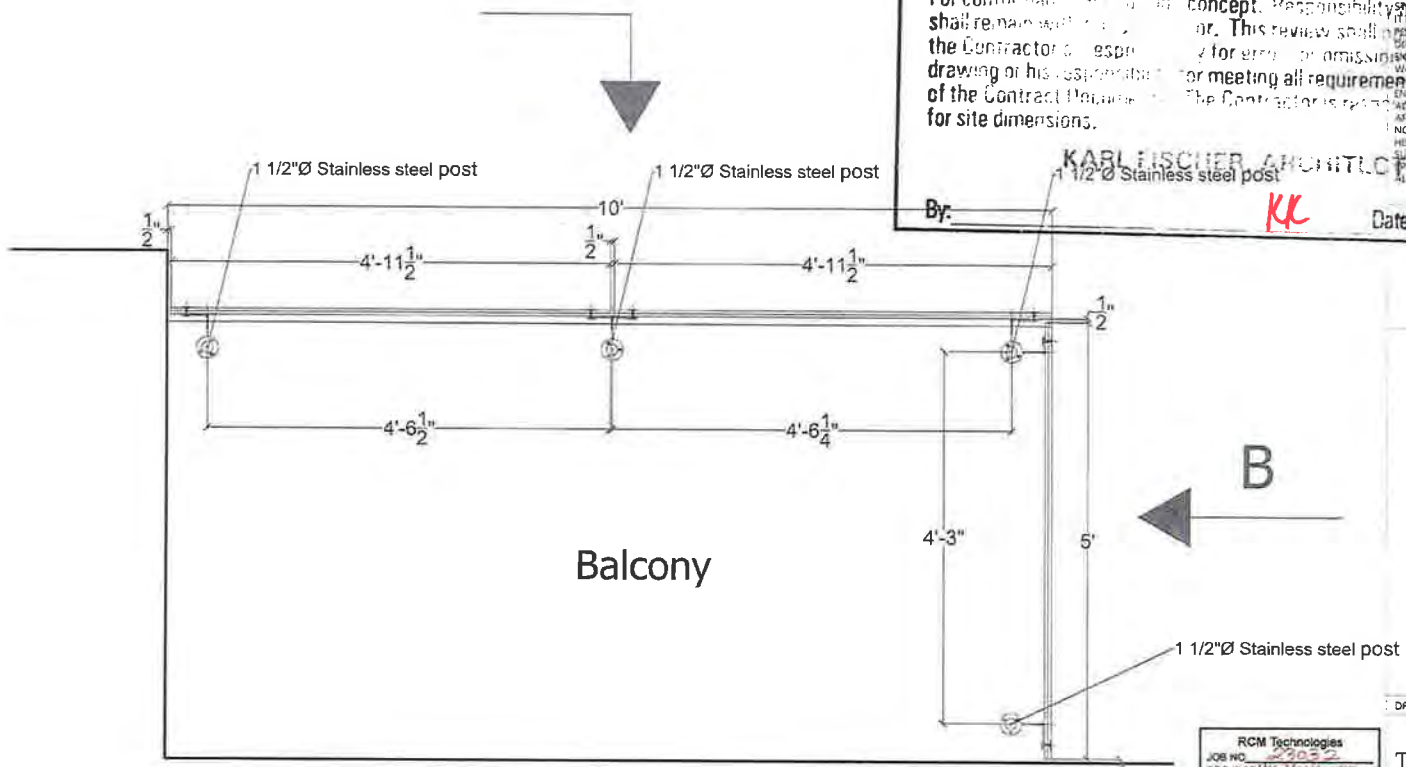
BY:
 DATE:

THIS DOCUMENT HAS BEEN REVIEWED FOR GENERAL COMPLIANCE WITH THE DESIGN CONCEPT ONLY.

THE REVIEW DOES NOT RELIEVE THE CONTRACTOR OR ANY SUBCONTRACTOR OF RESPONSIBILITY FOR THE COMPLIANCE WITH CONTRACT REQUIREMENTS FOR CORRECTNESS OF DIMENSIONS, CLEARANCES, AND MATERIAL QUANTITIES. FOR PROPER DESIGN OF DETAILS FOR PROPER INSTALLATION AND CONSTRUCTION, REVIEWER PROVIDES PROPER COOPERATION WITH OTHER TRADES AND FOR PROVIDING ALL DETAILS REQUIRED FOR SAFE AND CORRECT CONSTRUCTION AND OPERATION.

Type 6
5 pc

A



Balcony

REVIEWED
REVIEWED AS NOTED
REVISE AND RE-submit
REJECTED

For confirmation of design concept. Responsibility shall remain with the Contractor for any error or omission in this drawing or his responsibility for meeting all requirements of the Contract Documents. The Contractor is responsible for site dimensions.

KARL FISCHER ARCHITECTS
1 1/2" Ø Stainless steel post

By: *KK* Date: *01/19/18*

NO.	DATE	REVISION DESCRIPTION
1	11/27/2017	
2	1/6/2018	

IT IS A VIOLATION OF THE LAW FOR ANY PERSON ACTING UNDER THE LICENSE OF AN ARCHITECT TO ALTER IN ANY MANNER OR BY ANY MEANS THESE DRAWINGS OR ANY PART THEREOF BEARING THE SEAL OF AN ARCHITECT OR ENGINEER/ARCHITECT SHALL BE HELD RESPONSIBLE FOR SUCH ALTERATION, FOLLOWED BY HIS/HER SIGNATURE AND THE DATE OF SUCH ALTERATION, ALONG WITH A SPECIFIC DESCRIPTION OF THE ALTERATION ON THE DRAWING.

114 MULBERRY,
MANHATTAN, NY 10013

DRAWING TITLE:
Type 6

DATE: 11/27/2017

PROJECT NO.:

DRAWING BY:

CHECKED BY:

DRAWING NO. S10

RCM Technologies
JOB NO. *20032*
PROJECT *114 Mulberry*

APPROVED
 REVIEWED
 REVIEW AS NOTED
 REJECTED, RESUBMIT
 REVIEW NOT REQUIRED

BY:

DATE:

THIS DOCUMENT HAS BEEN REVIEWED FOR GENERAL CONFORMANCE WITH THE DESIGN CONCEPT ONLY.

THE REVIEW DOES NOT RELIEVE THE CONTRACTOR OR ANY SUBCONTRACTOR OF RESPONSIBILITY FOR THE COMPLIANCE WITH CONTRACT REQUIREMENTS FOR CORRECTNESS OF DIMENSIONS, QUANTITIES AND MATERIAL QUANTITIES, FOR PROPER DESIGN DETAILS, FOR PROPER INSTALLATION AND CONSTRUCTION TECHNIQUES, FOR PROPER COORDINATION WITH OTHER TRADES, AND FOR PROVIDING ALL BRACES REQUIRED FOR SAFE AND ADEQUATE CONSTRUCTION AND OPERATION.

REVIEWED
 REVIEWED AS NOTED
 REVISE AND RE-SUBMIT
 REJECTED

NO.	REVISION DESCRIPTION
1	11/27/2017
2	
3	
4	
5	

For performance with design coverage. Responsibility of details shall remain with the contractor. This review shall not relieve the contractor of responsibility for errors or omissions in this drawing or his responsibility for meeting all requirements of the Contract Documents. The Contractor is responsible for site dimensions.

KARL FISCHER, ARCHITECT

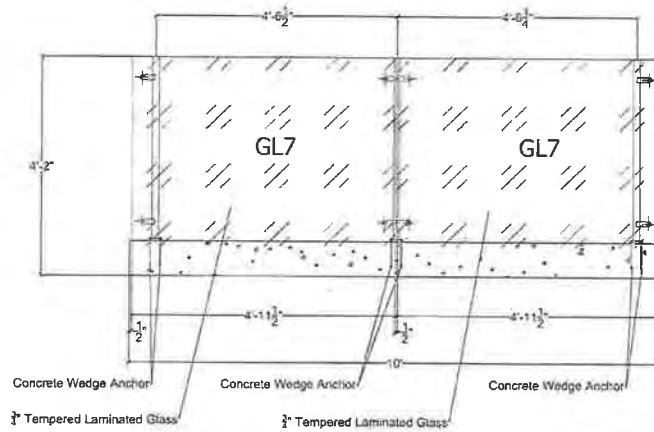
By: *KFC*

Date: *11/27/17*

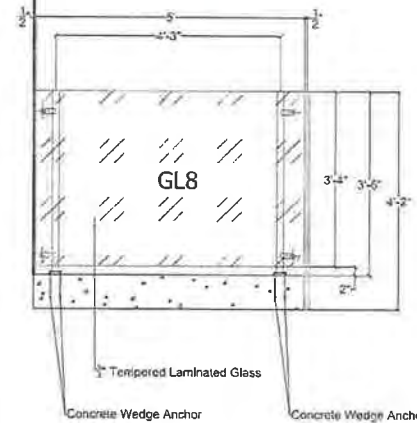
STATEMENT:
 IT IS A VIOLATION OF THE LAW FOR ANY PERSON, UNLESS ACTING UNDER THE DIRECTION OF A LICENSED ENGINEER, ARCHITECT OR ALTERED DRAWINGS IF AN ENGINEER OR ARCHITECT HAS ALREADY AFFIXED THEIR SEAL AND THE ALTERING ENGINEER/ARCHITECT SHALL AFFIX TO THEIR ITEM THEIR SEAL AND THE NOTATION "ALTERED BY", FOLLOWED BY HIS HER SIGNATURE AND THE DATE OF SUCH ALTERATION, ALONG WITH A SPECIFIC DESCRIPTION OF THE ALTERATION ON THE DRAWING.

ALL DRAWINGS ARE TO BE READ

A



B



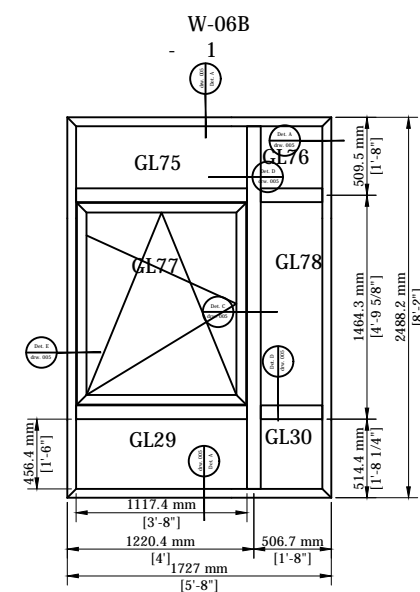
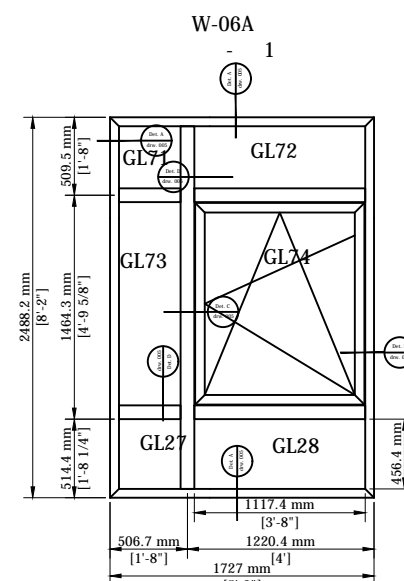
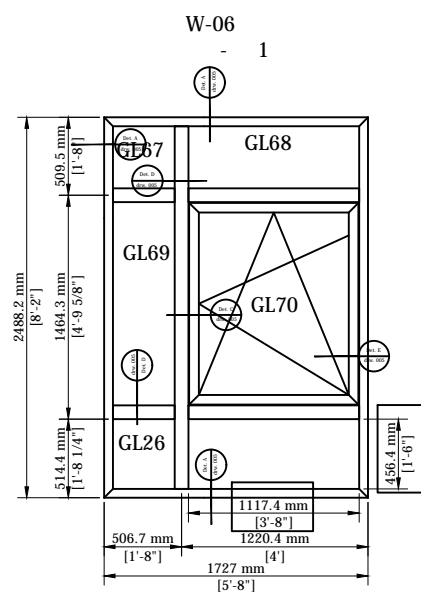
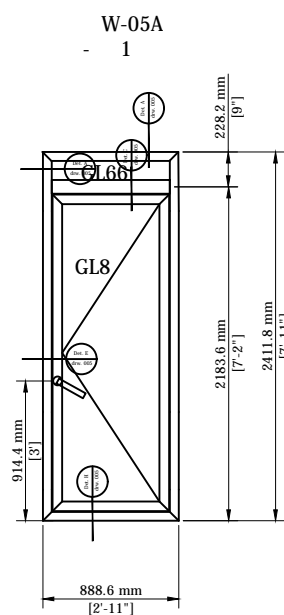
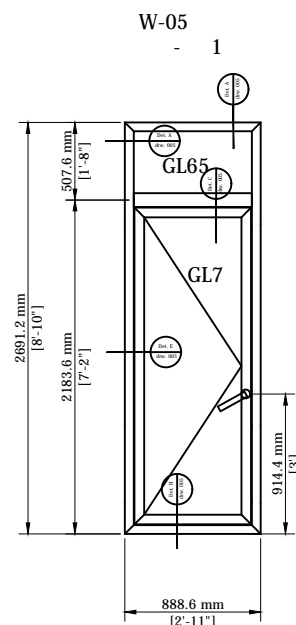
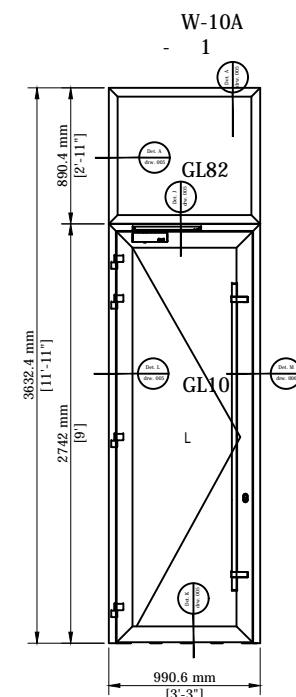
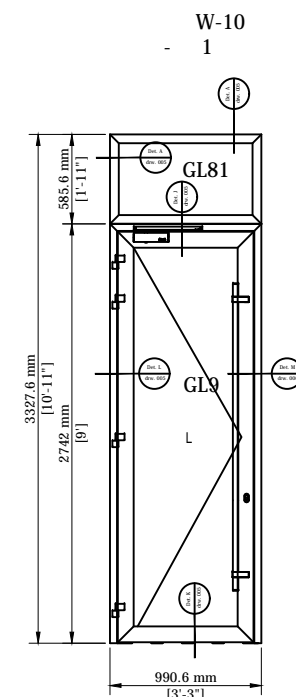
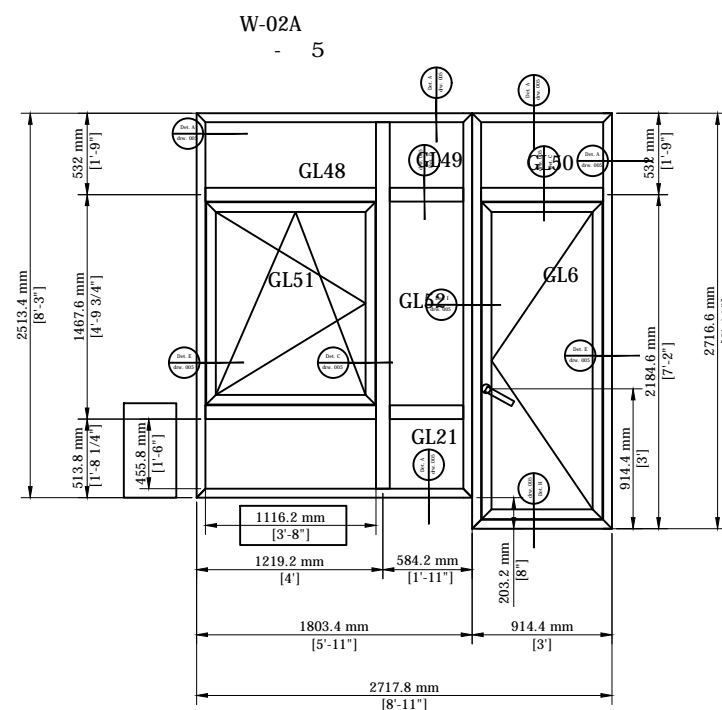
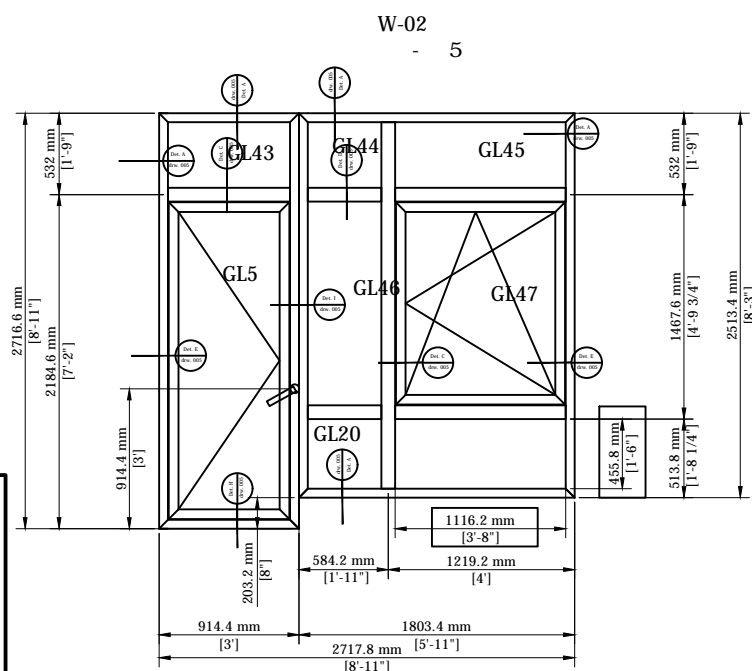
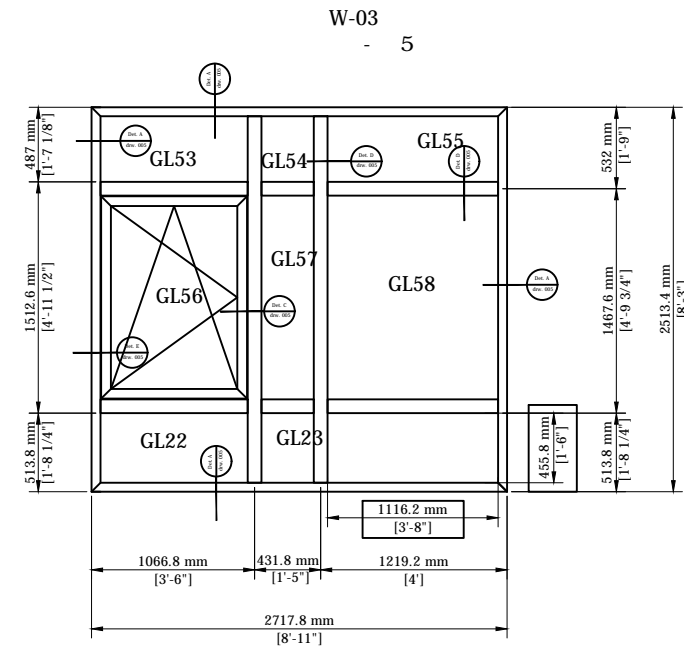
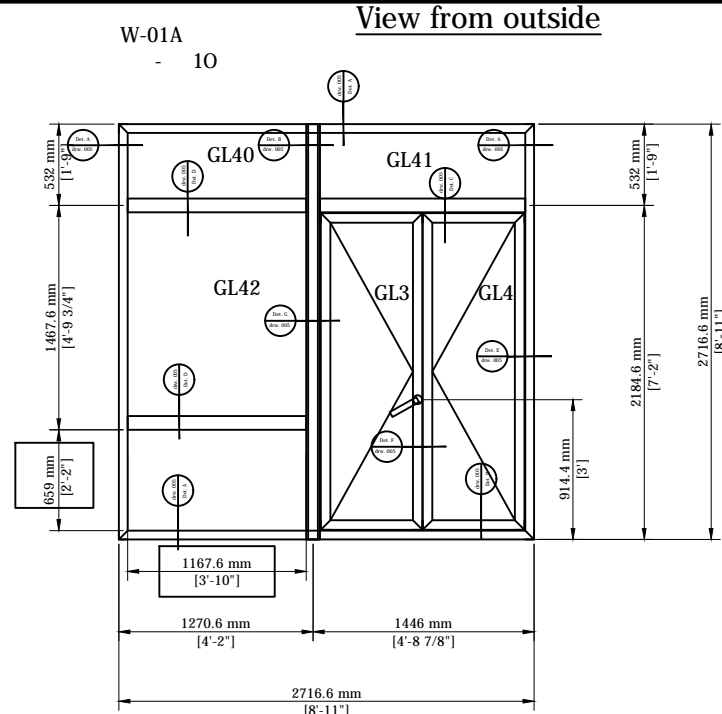
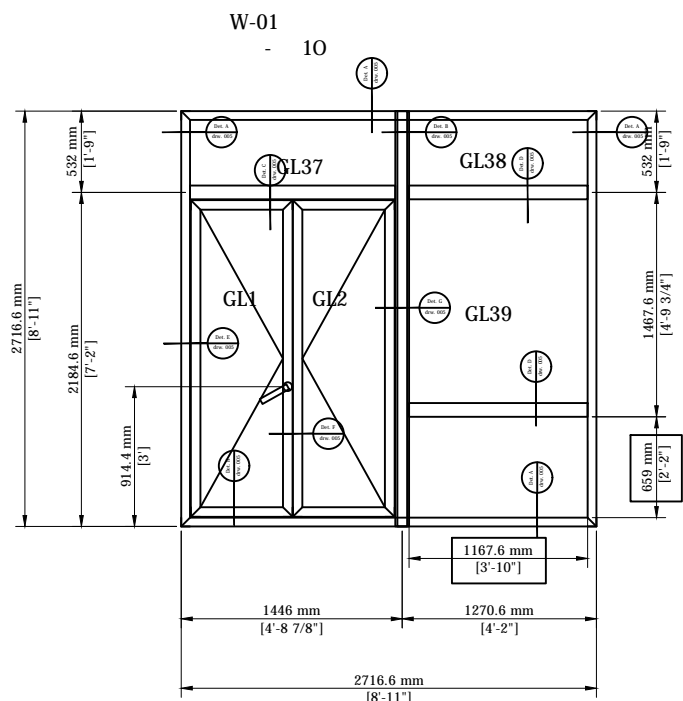
114 MULBERRY,
 MANHATTAN, NY 10013

DRAWING TITLE:
 Section A,B
 (type B)

RCM Technologies
 JOB NO. *22032*
 PROJECT *114 Mulberry*
 APPROVED
 REVIEWED
 REVISE AS NOTED
 REQUESTED, RESUBMIT
 REVIEW NOT REQUIRED
 BY:
 DATE:
 THIS DOCUMENT HAS BEEN REVIEWED FOR GENERAL CONFORMANCE WITH THE DESIGN CONCEPT ONLY.
 THE REVIEW DOES NOT RELIEVE THE CONTRACTOR OR ANY SUBCONTRACTOR OF RESPONSIBILITY FOR THE COMPLIANCE WITH CONTRACT REQUIREMENTS FOR CONSTRUCTION OF DIMENSIONS, CLEARANCES AND MATERIAL QUALITIES. FOR PROPER DESIGN OF DETAILS FOR PROPER INSTALLATION AND CONSTRUCTION. REMOVALS FOR PROPER COORDINATION WITH OTHER TRADES AND FOR PROVIDING ALL DETAILS REQUIRED FOR SAFE AND SATISFACTORY CONSTRUCTION AND OPERATION.

DATE: 11/27/2017
 PROJECT NO.:
 DRAWING BY:
 CHECKED BY:

DRAWING NO. **S11**



D:\ \Screenshot_1.jpg

Project:
114 Mulberry ShopDrawing

Description:
Windows Alumil M11500

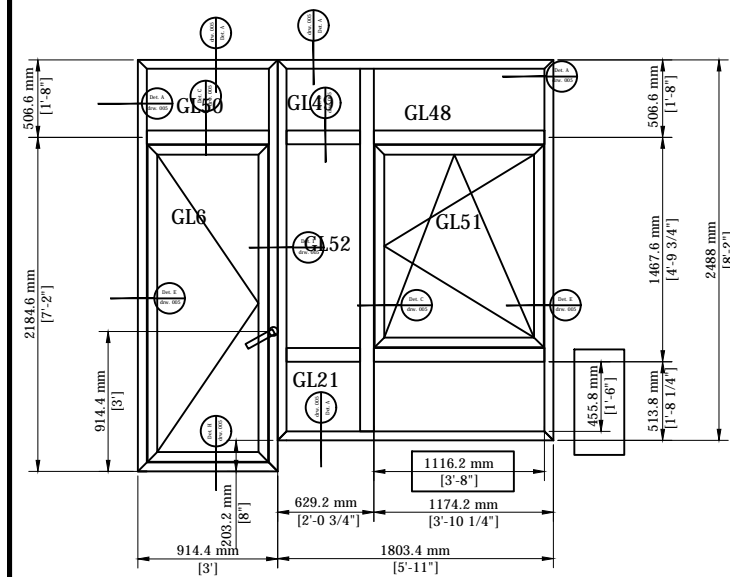
Drawing No: 001 Rev A

Drawn BY: DK Scale: 1:50 @ A3

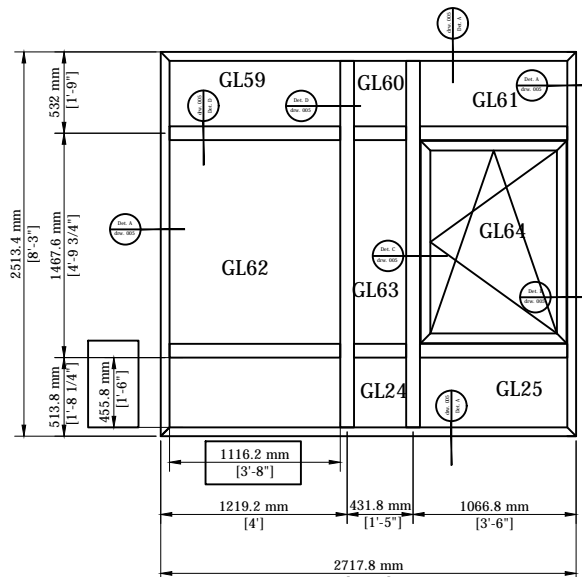
Date: 11 January 2018

Status: APPROVAL

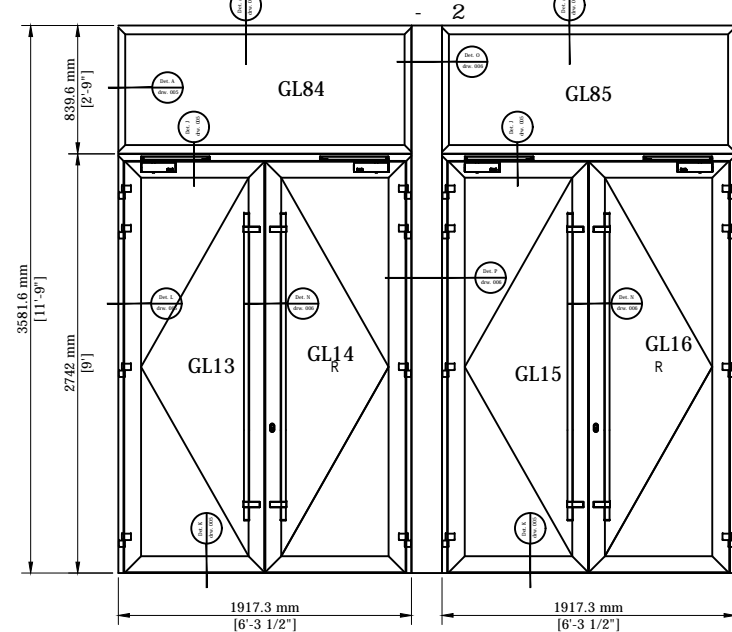
W-02B
- 1



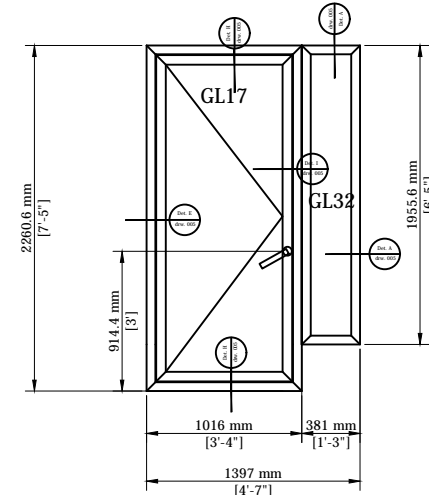
W-03A
- 5



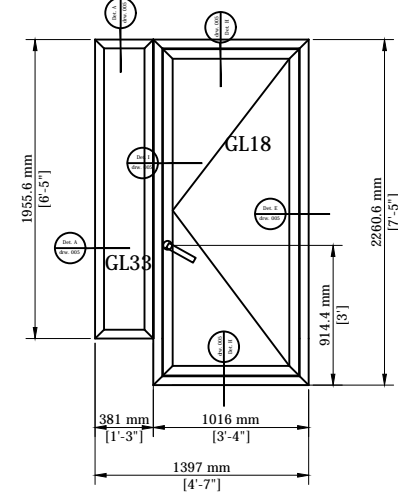
W-12
- 2
View from outside



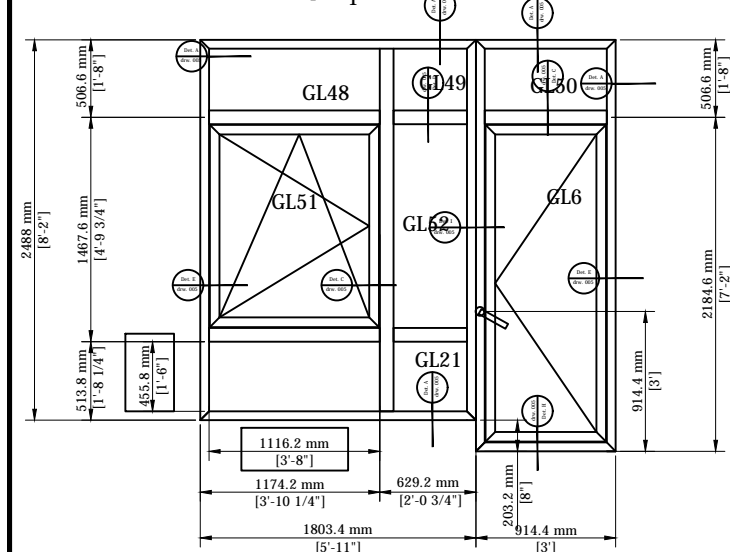
W-13
- 1



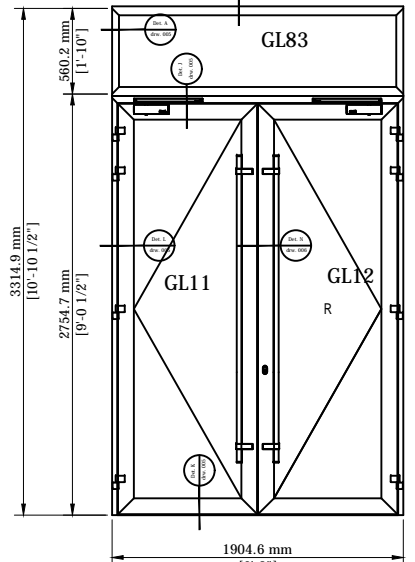
W-13A
- 1



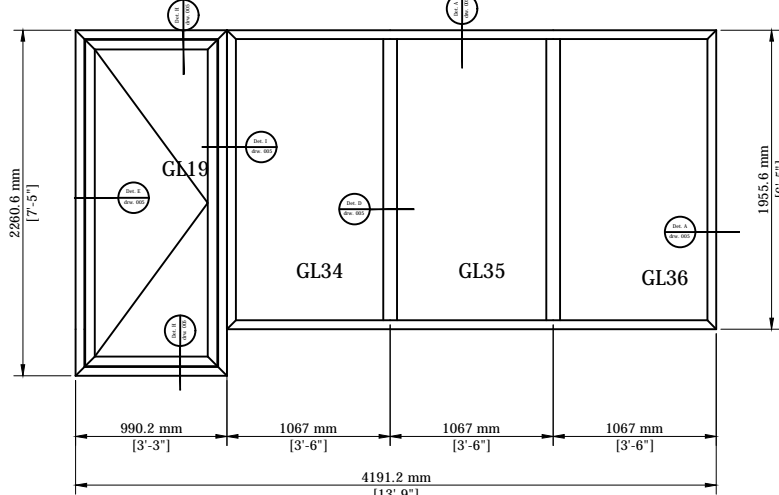
W-02C
- 1



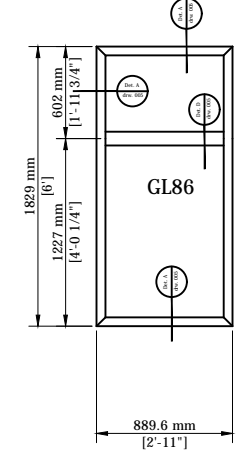
W-11
- 2



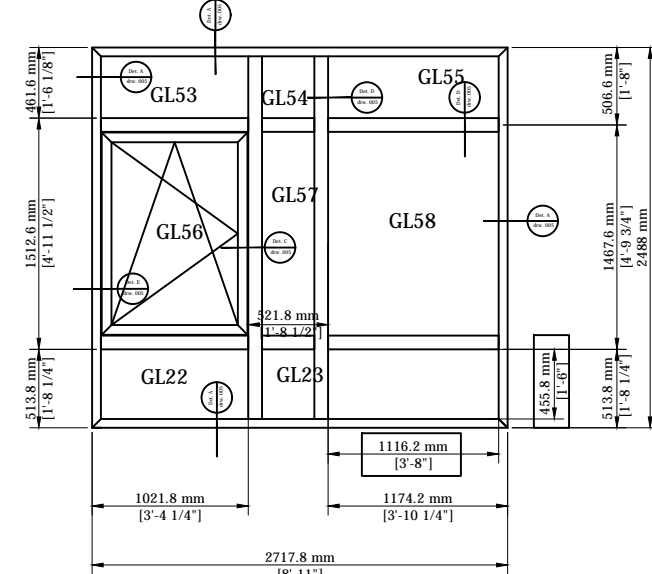
W-14
- 1



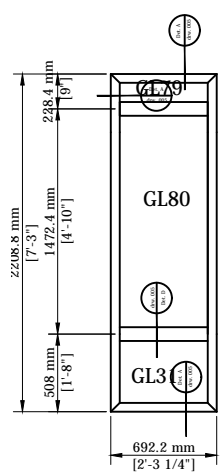
WS-1
- 2



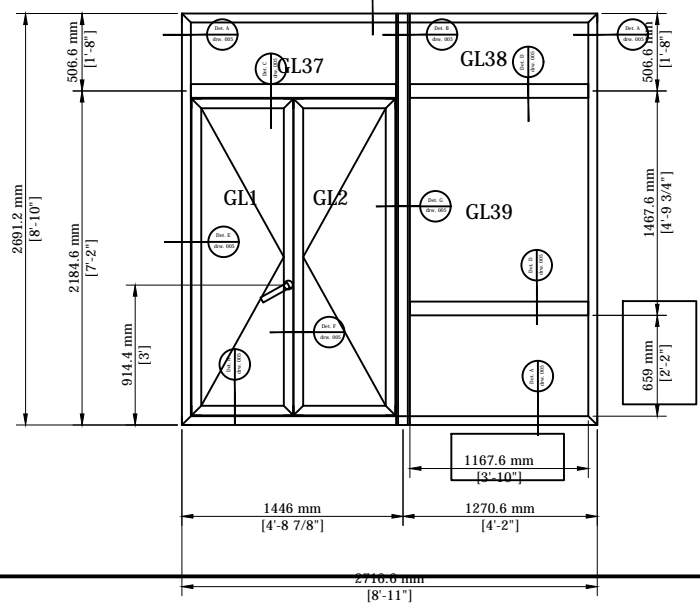
W-03B
- 1



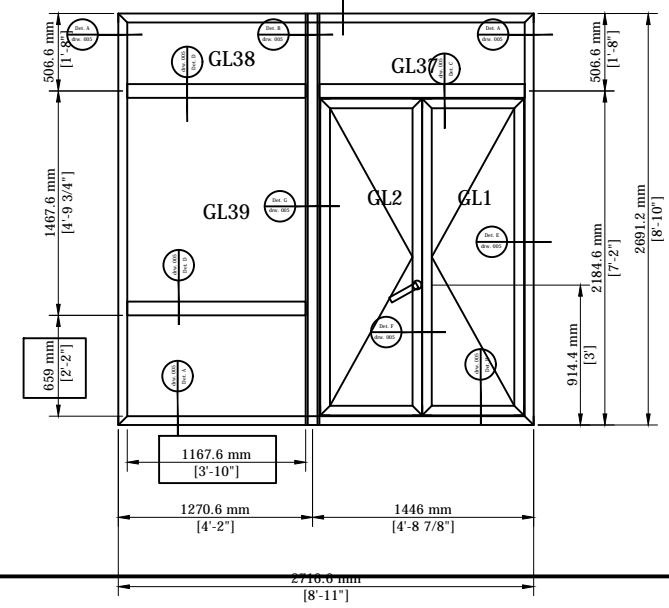
W-07
- 1



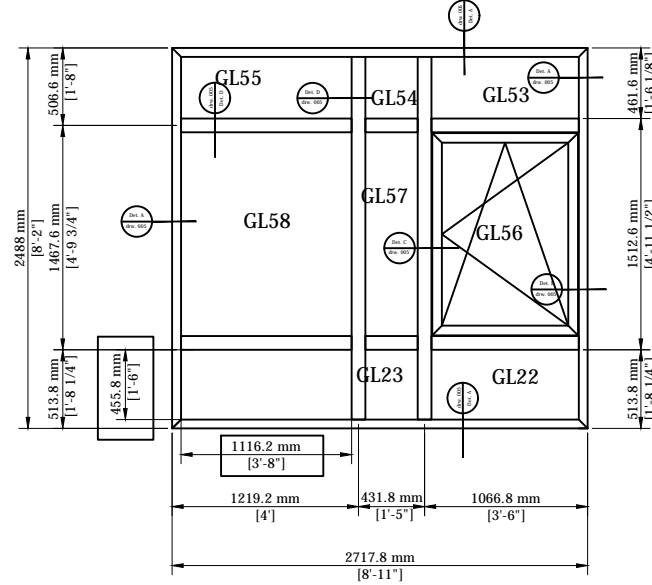
W-01B
- 1



W-01C
- 1



W-03C
- 1



D:\ \Screenshot_1.jpg

Project:
114 Mulberry ShopDrawing

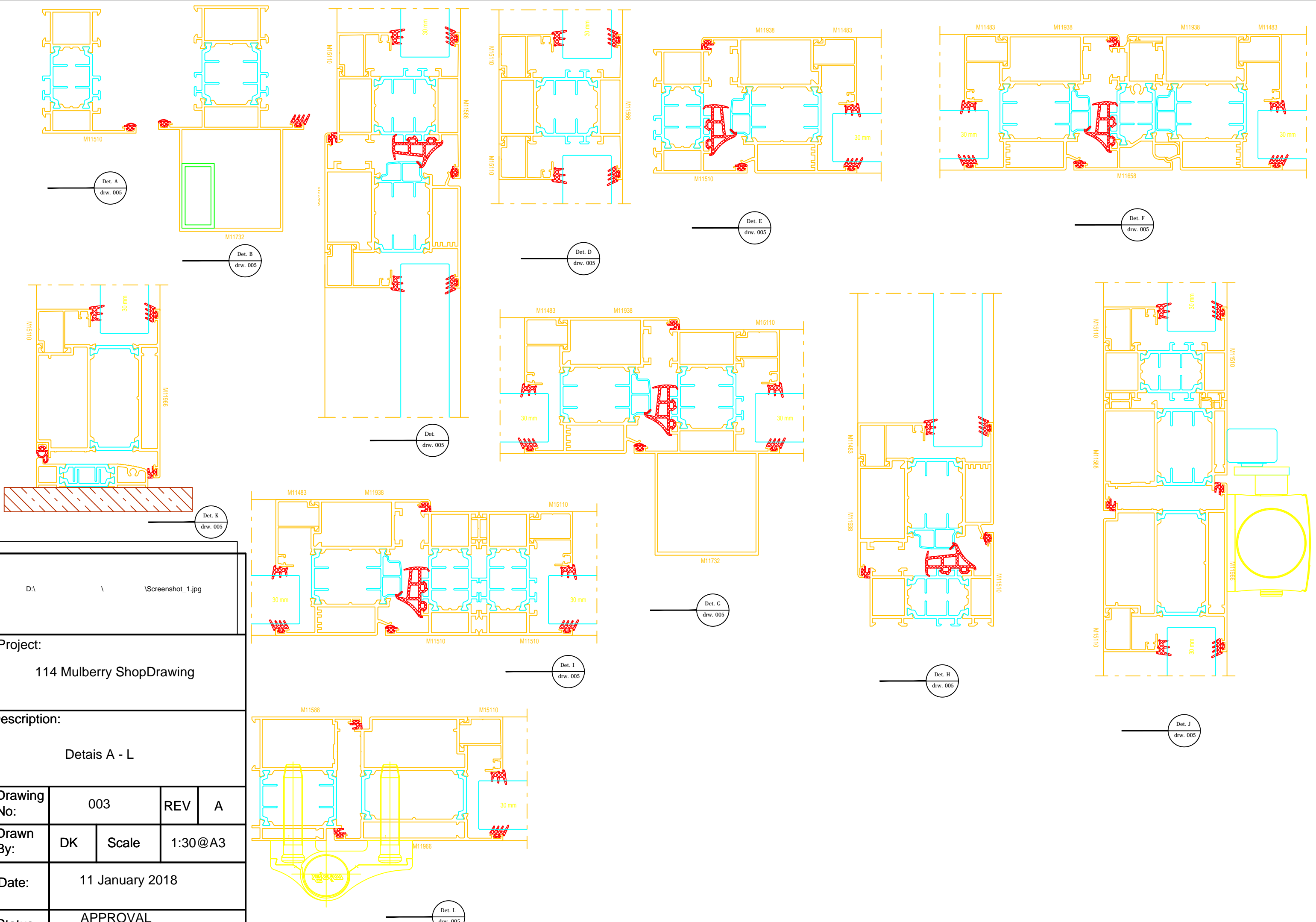
Description:
Windows Alumil M11500

Drawing No: 002 Rev A

Drawn BY: DK Scale: 1:50 @ A3

Date: 11 January 2018

Status: APPROVAL



Det. A
drw. 005

Det. B
drw. 005

Det. D
drw. 005

Det. E
drw. 005

Det. F
drw. 005

Det.
drw. 005

Det. I
drw. 005

Det. G
drw. 005

Det. H
drw. 005

Det. J
drw. 005

Det. L
drw. 005

D:\ \Screenshot_1.jpg

Project:
114 Mulberry ShopDrawing

Description:
Details A - L

Drawing No:	003	REV	A
-------------	-----	-----	---

Drawn By:	DK	Scale	1:30@A3
-----------	----	-------	---------

Date:	11 January 2018
-------	-----------------

Status:	APPROVAL
---------	----------

Glass mark	Structure mark	Q-ty	Type
GL1	W01	11	6 HP Neutral 60/40 - 16 Ar - 4.4.1
GL2	W01	11	6 HP Neutral 60/40 - 16 Ar - 4.4.1
GL3	W01A	11	6 HP Neutral 60/40 - 16 Ar - 4.4.1
GL4	W01A	11	6 HP Neutral 60/40 - 16 Ar - 4.4.1
GL5	W02	6	6 HP Neutral 60/40 - 16 Ar - 4.4.1
GL6	W02A	6	6 HP Neutral 60/40 - 16 Ar - 4.4.1
GL7	W05	1	6 HP Neutral 60/40 - 16 Ar - 4.4.1
GL8	W05A	1	6 HP Neutral 60/40 - 16 Ar - 4.4.1
GL9	W10	1	6 HP Neutral 60/40 - 16 Ar - 4.4.1
GL10	W10A	1	6 HP Neutral 60/40 - 16 Ar - 4.4.1
GL11	W11	1	6 HP Neutral 60/40 - 16 Ar - 4.4.1
GL12	W11	1	6 HP Neutral 60/40 - 16 Ar - 4.4.1
GL13	W12	2	6 HP Neutral 60/40 - 16 Ar - 4.4.1
GL14	W12	2	6 HP Neutral 60/40 - 16 Ar - 4.4.1
GL15	W12	2	6 HP Neutral 60/40 - 16 Ar - 4.4.1
GL16	W12	2	6 HP Neutral 60/40 - 16 Ar - 4.4.1
GL17	W13	1	6 HP Neutral 60/40 - 16 Ar - 4.4.1
GL18	W13A	1	6 HP Neutral 60/40 - 16 Ar - 4.4.1
GL19	W14	1	6 HP Neutral 60/40 - 16 Ar - 4.4.1

Glass mark	Structure mark	Q-ty	Type
GL86	WS-1	2	6 ESG HP 60/40. 4ESG.1-12-4.4.1

GL20	W02	6	6 ESG HP Neutral 60/40 - 18 Ar - 6 ESG
GL21	W02A	6	6 ESG HP Neutral 60/40 - 18 Ar - 6 ESG
GL22	W03	6	6 ESG HP Neutral 60/40 - 18 Ar - 6 ESG
GL23	W03	6	6 ESG HP Neutral 60/40 - 18 Ar - 6 ESG
GL24	W03A	6	6 ESG HP Neutral 60/40 - 18 Ar - 6 ESG
GL25	W03A	6	6 ESG HP Neutral 60/40 - 18 Ar - 6 ESG
GL26	W06	1	6 ESG HP Neutral 60/40 - 18 Ar - 6 ESG
GL27	W06A	1	6 ESG HP Neutral 60/40 - 18 Ar - 6 ESG
GL28	W06A	1	6 ESG HP Neutral 60/40 - 18 Ar - 6 ESG
GL29	W06B	1	6 ESG HP Neutral 60/40 - 18 Ar - 6 ESG
GL30	W06B	1	6 ESG HP Neutral 60/40 - 18 Ar - 6 ESG
GL31	W07	1	6 ESG HP Neutral 60/40 - 18 Ar - 6 ESG
GL32	W13	1	6 ESG HP Neutral 60/40 - 18 Ar - 6 ESG
GL33	W13A	1	6 ESG HP Neutral 60/40 - 18 Ar - 6 ESG
GL34	W14	1	6 ESG HP Neutral 60/40 - 18 Ar - 6 ESG
GL35	W14	1	6 ESG HP Neutral 60/40 - 18 Ar - 6 ESG
GL36	W14	1	6 ESG HP Neutral 60/40 - 18 Ar - 6 ESG

Glass mark	Structure mark	Q-ty	Type
GL37	W01	11	6 HP Neutral 60/40 - 18 Ar - 6
GL38	W01	11	6 HP Neutral 60/40 - 18 Ar - 6
GL39	W01	11	6 HP Neutral 60/40 - 18 Ar - 6
GL40	W01A	11	6 HP Neutral 60/40 - 18 Ar - 6
GL41	W01A	11	6 HP Neutral 60/40 - 18 Ar - 6
GL42	W01A	11	6 HP Neutral 60/40 - 18 Ar - 6
GL43	W02	6	6 HP Neutral 60/40 - 18 Ar - 6
GL44	W02	6	6 HP Neutral 60/40 - 18 Ar - 6
GL45	W02	6	6 HP Neutral 60/40 - 18 Ar - 6
GL46	W02	6	6 HP Neutral 60/40 - 18 Ar - 6
GL47	W02	6	6 HP Neutral 60/40 - 18 Ar - 6
GL48	W02A	6	6 HP Neutral 60/40 - 18 Ar - 6
GL49	W02A	6	6 HP Neutral 60/40 - 18 Ar - 6
GL50	W02A	6	6 HP Neutral 60/40 - 18 Ar - 6
GL51	W02A	6	6 HP Neutral 60/40 - 18 Ar - 6
GL52	W02A	6	6 HP Neutral 60/40 - 18 Ar - 6
GL53	W03	6	6 HP Neutral 60/40 - 18 Ar - 6
GL54	W03	6	6 HP Neutral 60/40 - 18 Ar - 6
GL55	W03	6	6 HP Neutral 60/40 - 18 Ar - 6
GL56	W03	6	6 HP Neutral 60/40 - 18 Ar - 6
GL57	W03	6	6 HP Neutral 60/40 - 18 Ar - 6
GL58	W03	6	6 HP Neutral 60/40 - 18 Ar - 6
GL59	W03A	6	6 HP Neutral 60/40 - 18 Ar - 6
GL60	W03A	6	6 HP Neutral 60/40 - 18 Ar - 6
GL61	W03A	6	6 HP Neutral 60/40 - 18 Ar - 6
GL62	W03A	6	6 HP Neutral 60/40 - 18 Ar - 6
GL63	W03A	6	6 HP Neutral 60/40 - 18 Ar - 6
GL64	W03A	6	6 HP Neutral 60/40 - 18 Ar - 6
GL65	W05	1	6 HP Neutral 60/40 - 18 Ar - 6
GL66	W05A	1	6 HP Neutral 60/40 - 18 Ar - 6
GL67	W06	1	6 HP Neutral 60/40 - 18 Ar - 6
GL68	W06	1	6 HP Neutral 60/40 - 18 Ar - 6
GL69	W06	1	6 HP Neutral 60/40 - 18 Ar - 6
GL70	W06	1	6 HP Neutral 60/40 - 18 Ar - 6
GL71	W06A	1	6 HP Neutral 60/40 - 18 Ar - 6
GL72	W06A	1	6 HP Neutral 60/40 - 18 Ar - 6
GL73	W06A	1	6 HP Neutral 60/40 - 18 Ar - 6
GL74	W06A	1	6 HP Neutral 60/40 - 18 Ar - 6
GL75	W06B	1	6 HP Neutral 60/40 - 18 Ar - 6
GL76	W06B	1	6 HP Neutral 60/40 - 18 Ar - 6
GL77	W06B	1	6 HP Neutral 60/40 - 18 Ar - 6
GL78	W06B	1	6 HP Neutral 60/40 - 18 Ar - 6
GL79	W07	1	6 HP Neutral 60/40 - 18 Ar - 6
GL80	W07	1	6 HP Neutral 60/40 - 18 Ar - 6
GL81	W10	1	6 HP Neutral 60/40 - 18 Ar - 6
GL82	W10A	1	6 HP Neutral 60/40 - 18 Ar - 6
GL83	W11	1	6 HP Neutral 60/40 - 18 Ar - 6
GL84	W12	2	6 HP Neutral 60/40 - 18 Ar - 6
GL85	W12	2	6 HP Neutral 60/40 - 18 Ar - 6

D:\ \Screenshot_1.jpg			
Project: 114 Mulberry ShopDrawing			
Description: Glass Shedule			
Drawing No:	005	REV	A
Drawn By:	DK	Scale	1:30@A3
Date:	11 January 2018		
Status:	APPROVAL		