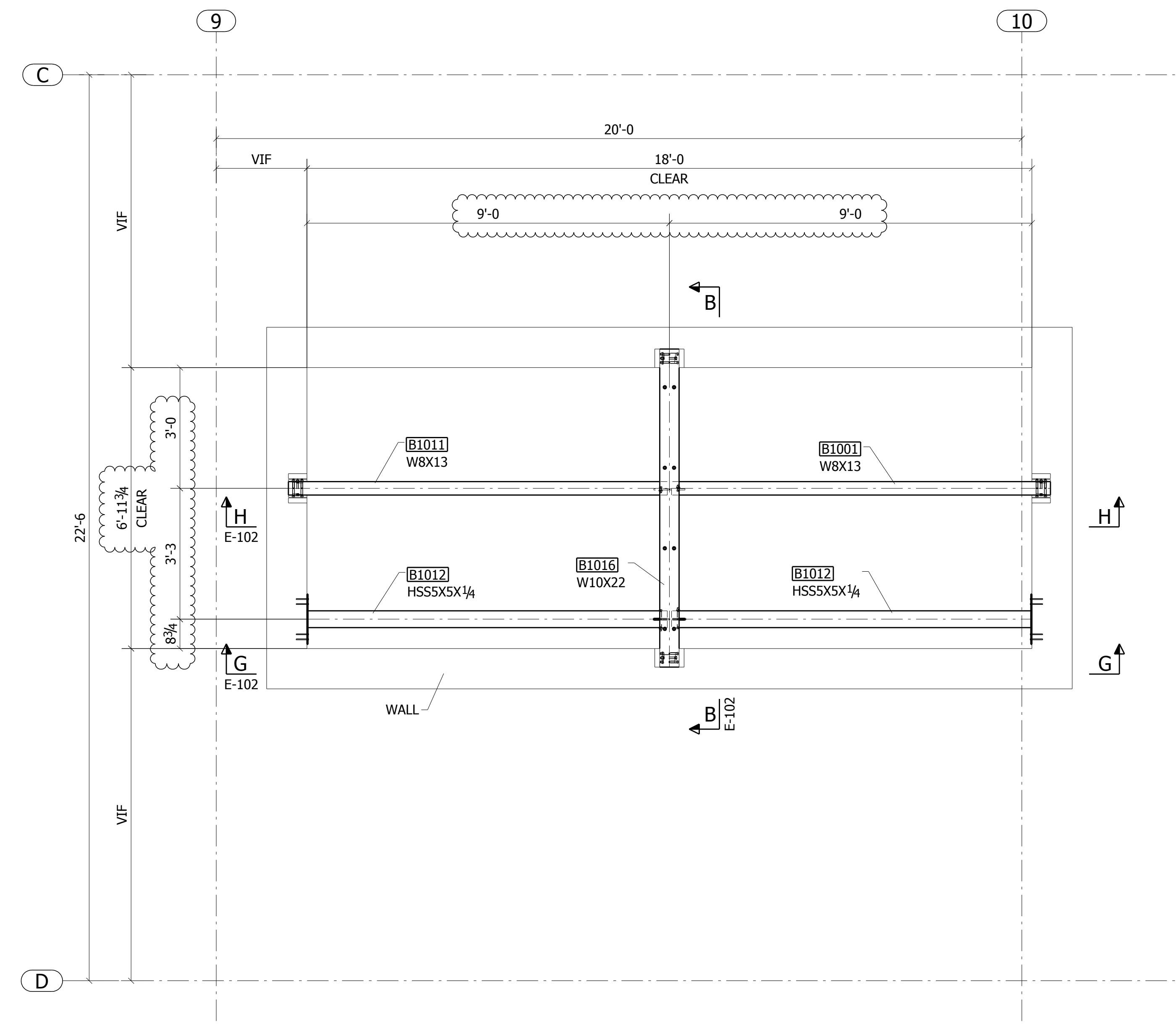


ELEVATOR FRAMING PLAN - LEVEL 01
REF: 1/S200



HOISTWAY FRAMING PLAN - ROOF LEVEL
REF: 5/S200

**APR'R VERIFY
ALL CLOUDED DIMS**

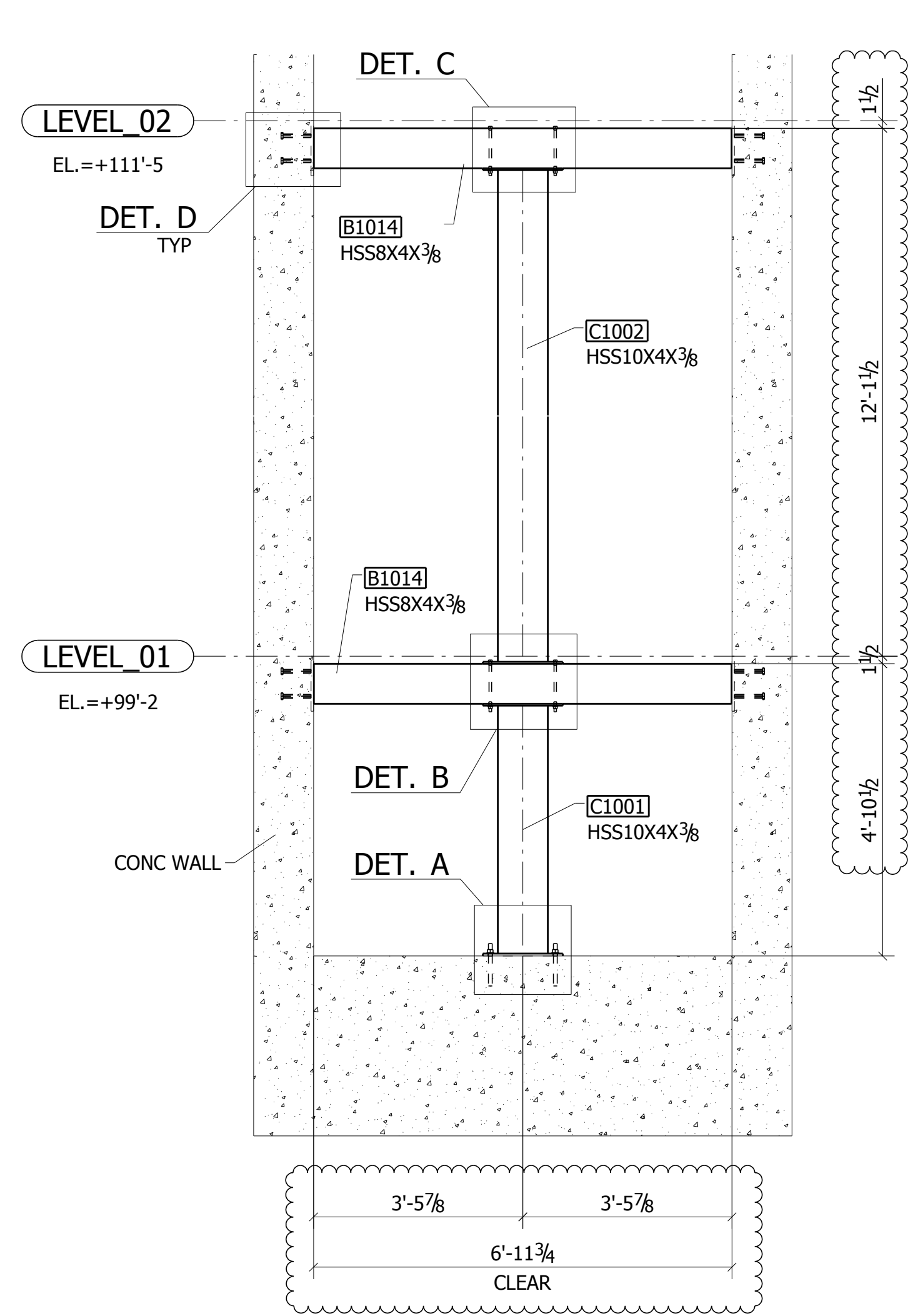
WORK THIS SHEET WITH SHEET E-102, E-103

REV.	DATE	DESCRIPTION	BY
A	09/25/2023	ISSUED FOR APPROVAL	YL

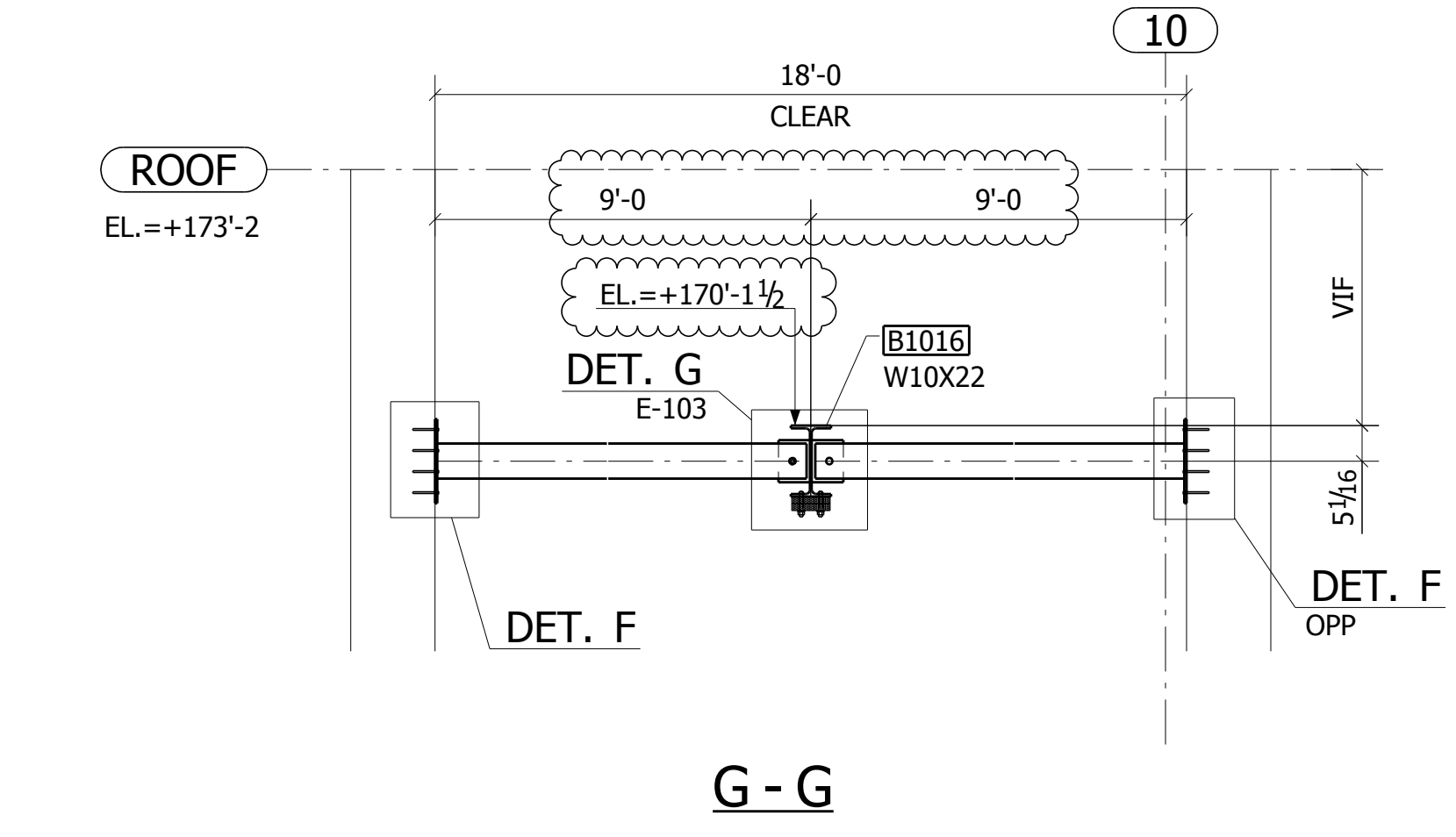
VERIFICATION OF DIMENSIONS, DETAILS AND ETC. ARE REQUESTED, WHERE INDICATED.
IF EACH VERIFICATION IS NOT NOTED OTHERWISE, IT WILL BE ASSUMED TO BE CORRECT AS SHOWN.

PROJECT:	
LOCATION:	
CONTRACTOR:	
ENGINEER:	
DETAILER:	

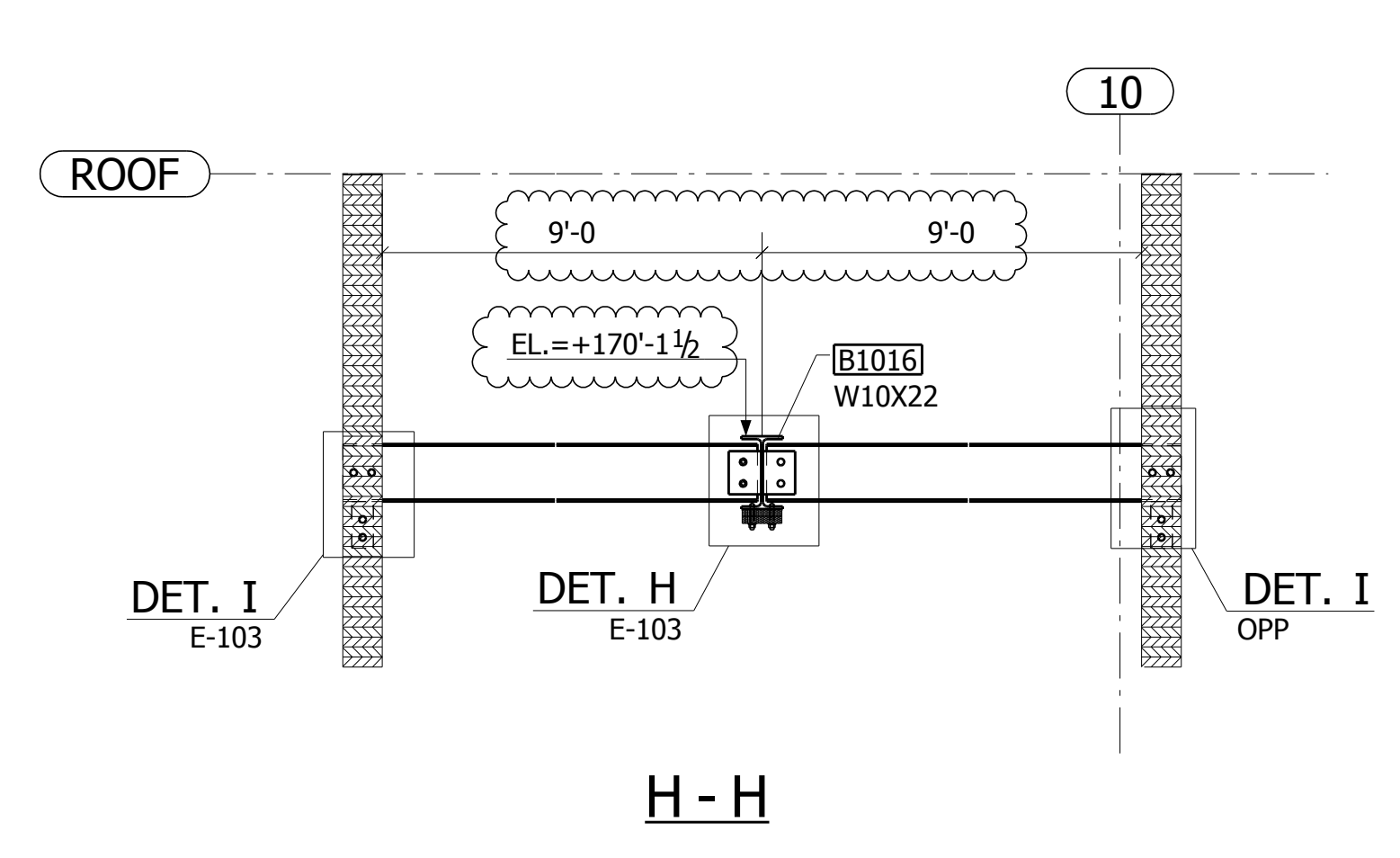
DRAWN BY:	CHKD. BY:	JOB No.:	SHEET No.:	REV.:
YL	PB	36725	E-101	A



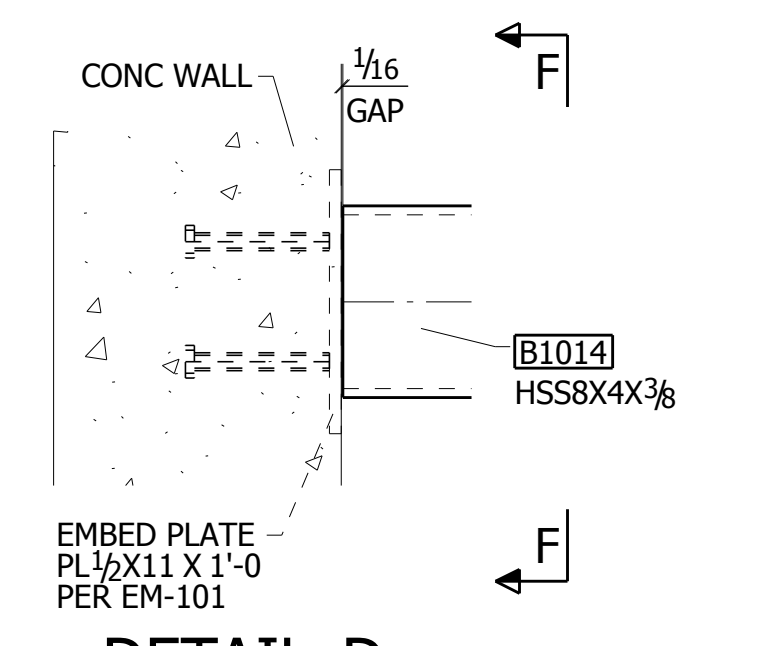
A - A



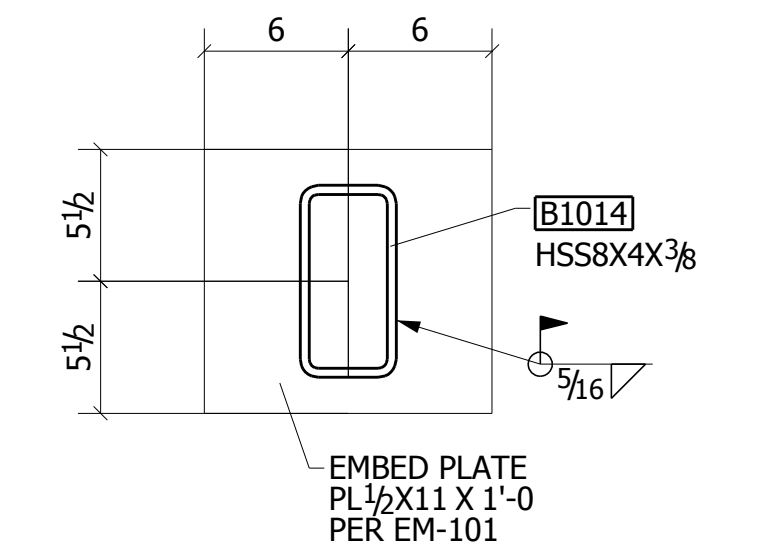
G - G



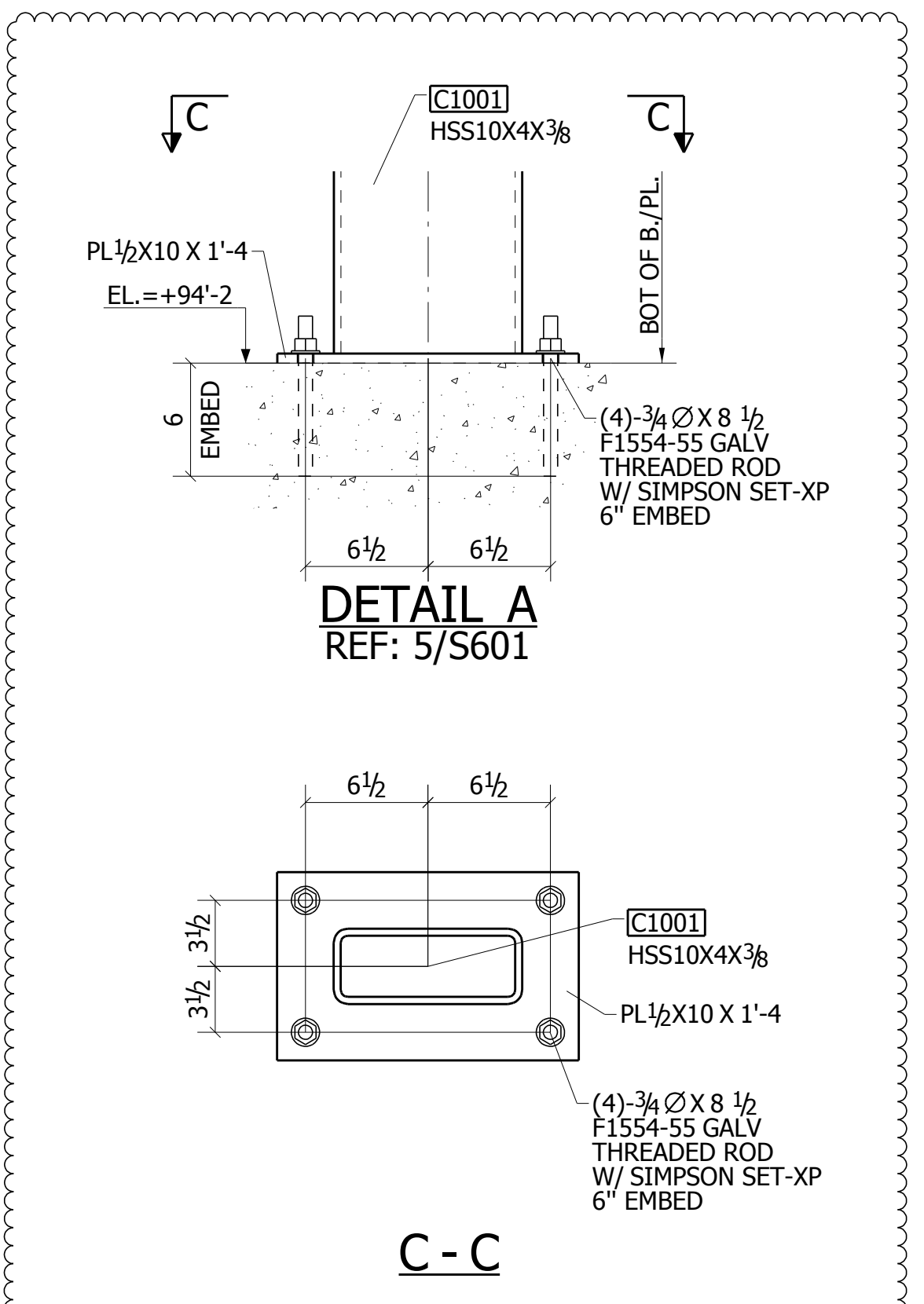
H - H



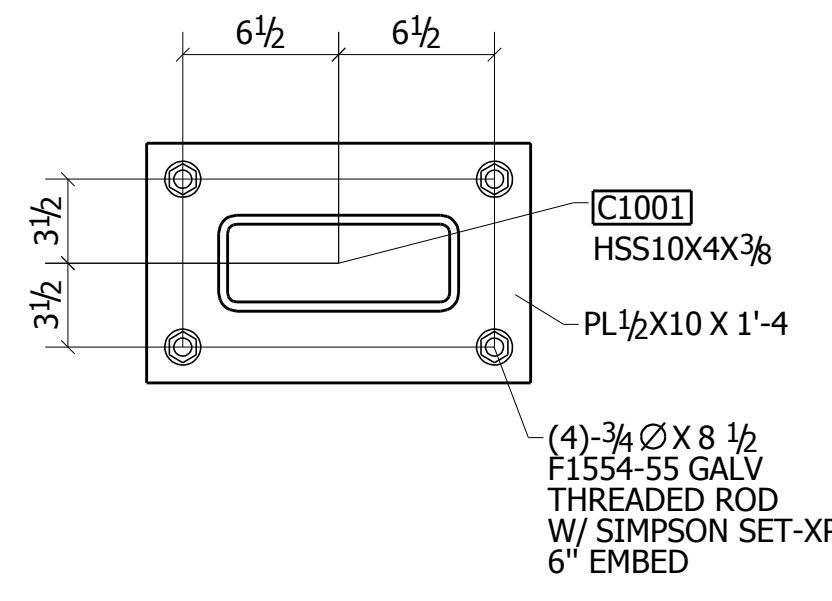
DETAIL D
REF: 10/S601



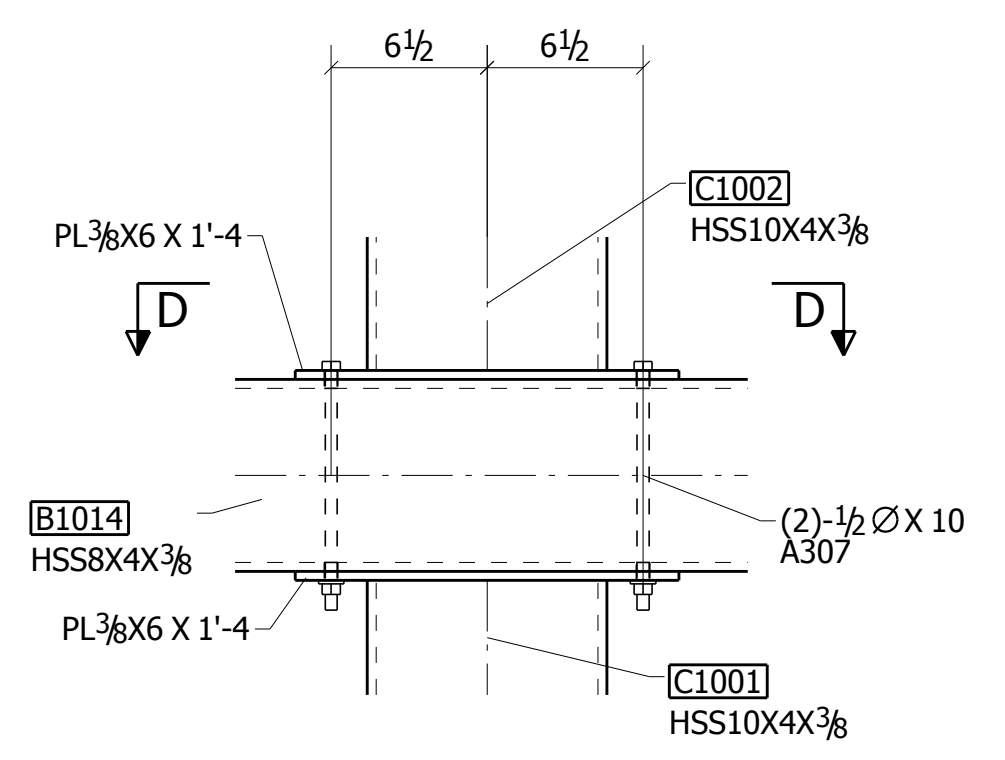
F - F
REF: 10/S601



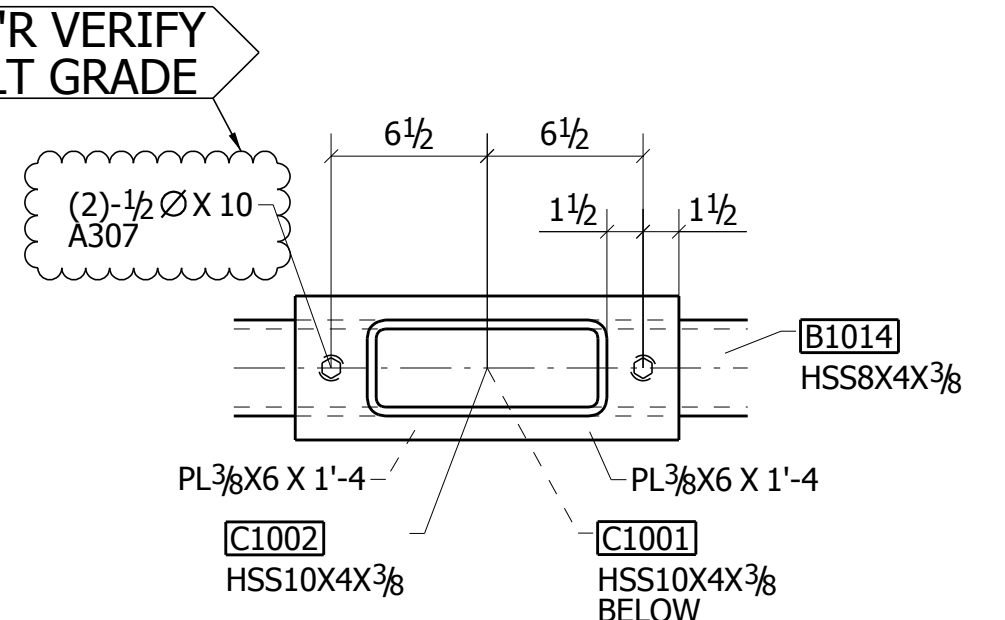
DETAIL A
REF: 5/S601



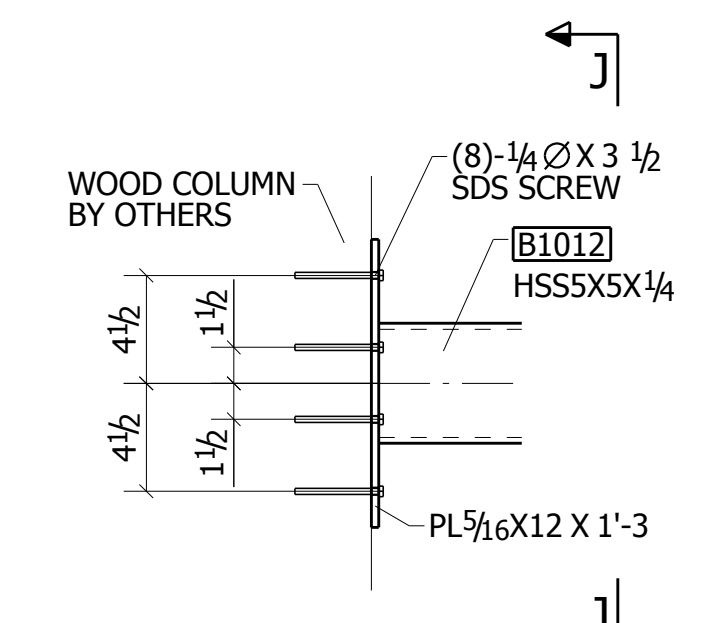
C - C



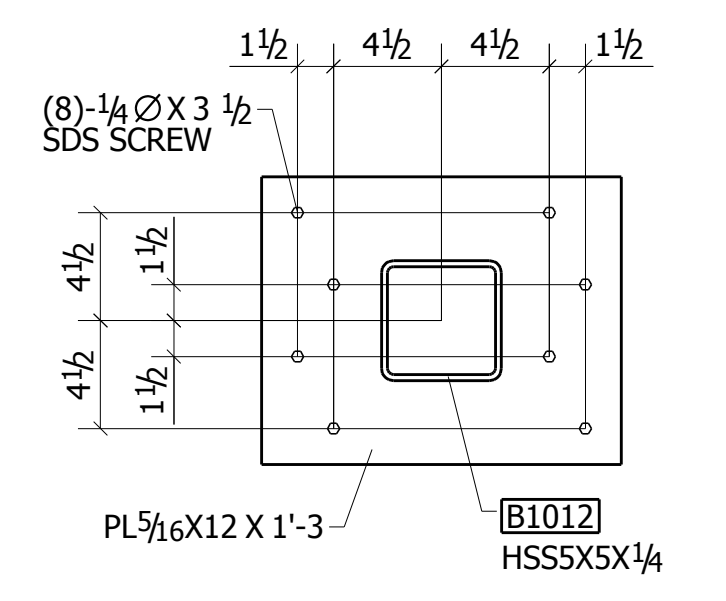
DETAIL B
REF: 10/S601



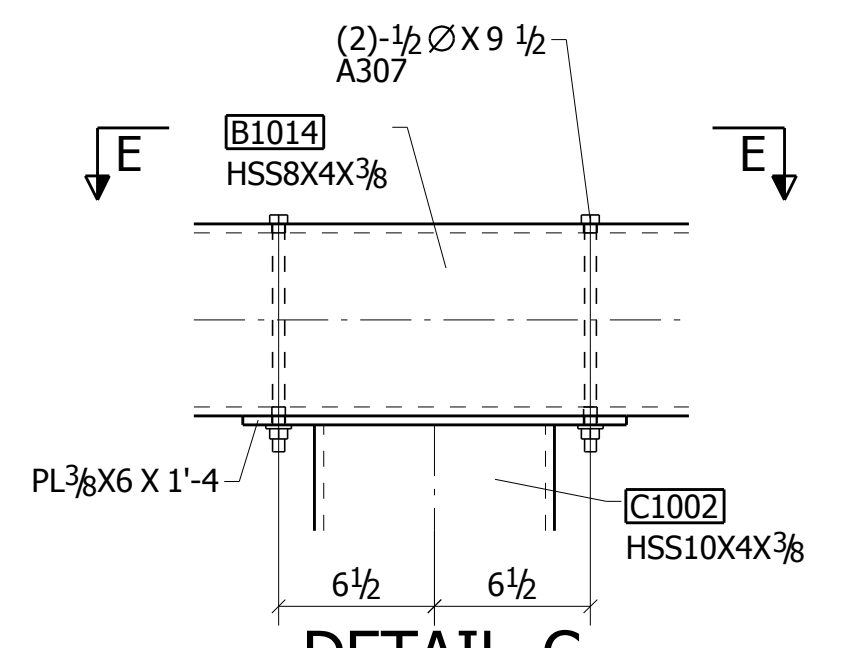
D - D
REF: 10/S601



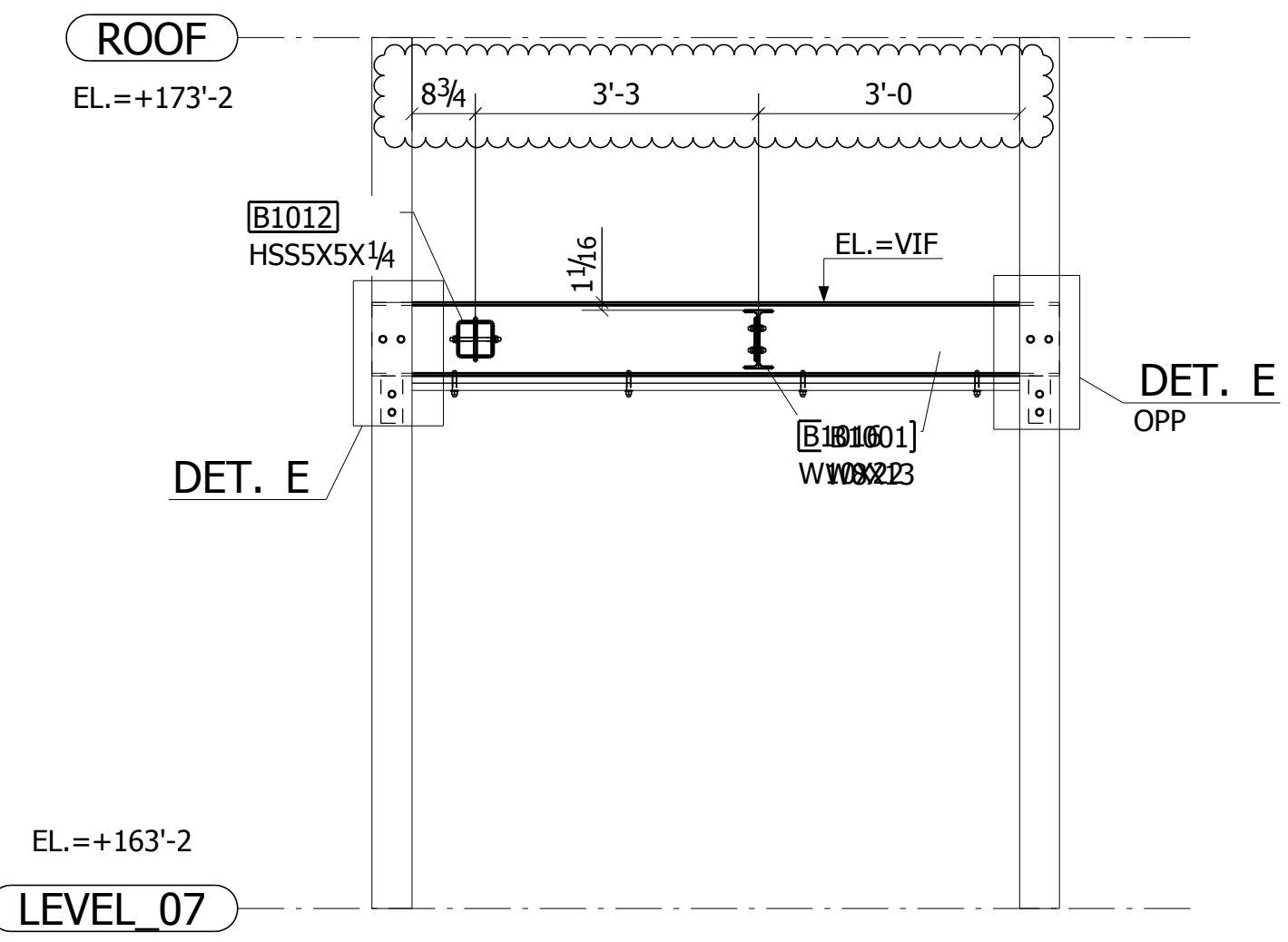
DETAIL F
REF: 3/S703



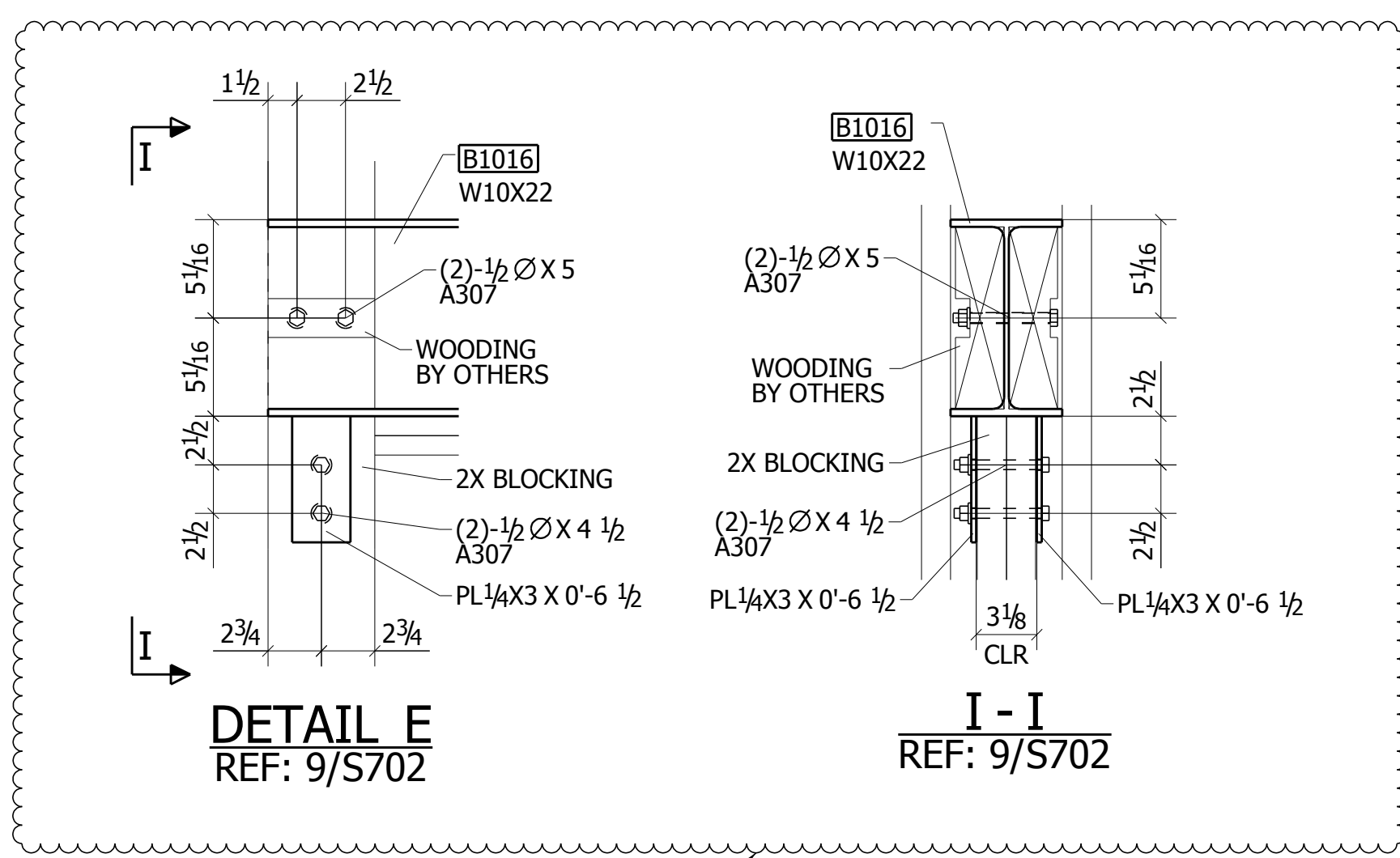
J - J
REF: 3/S703



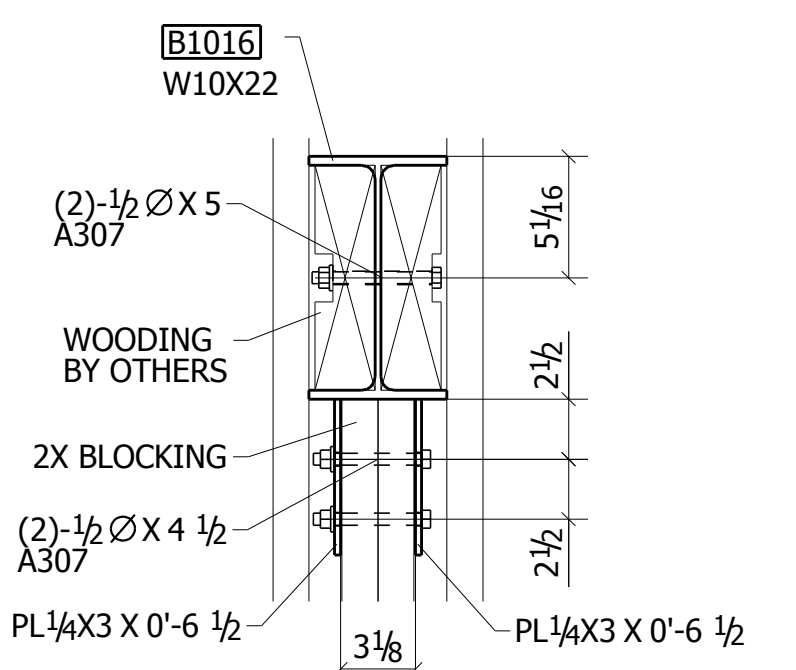
DETAIL C
REF: 10/S601



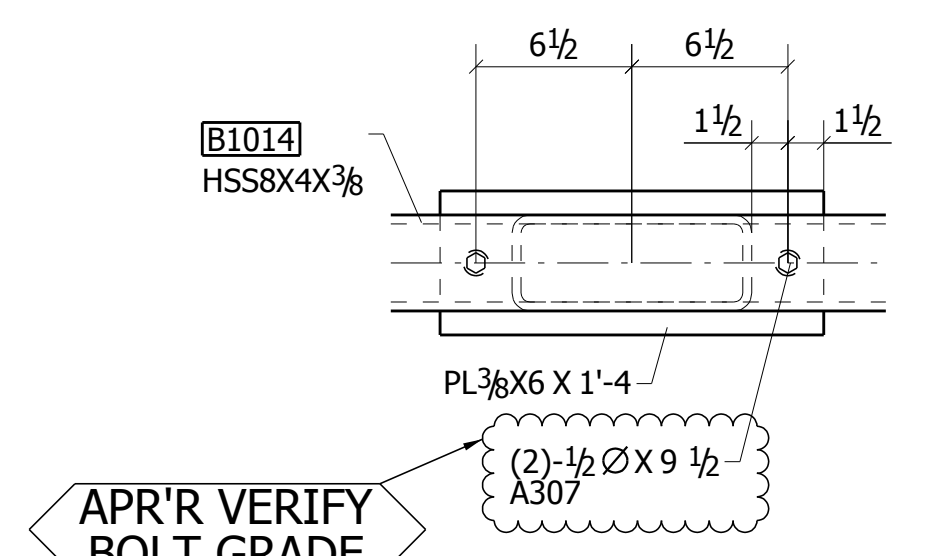
B - B



DETAIL E
REF: 9/S702



I - I
REF: 9/S702

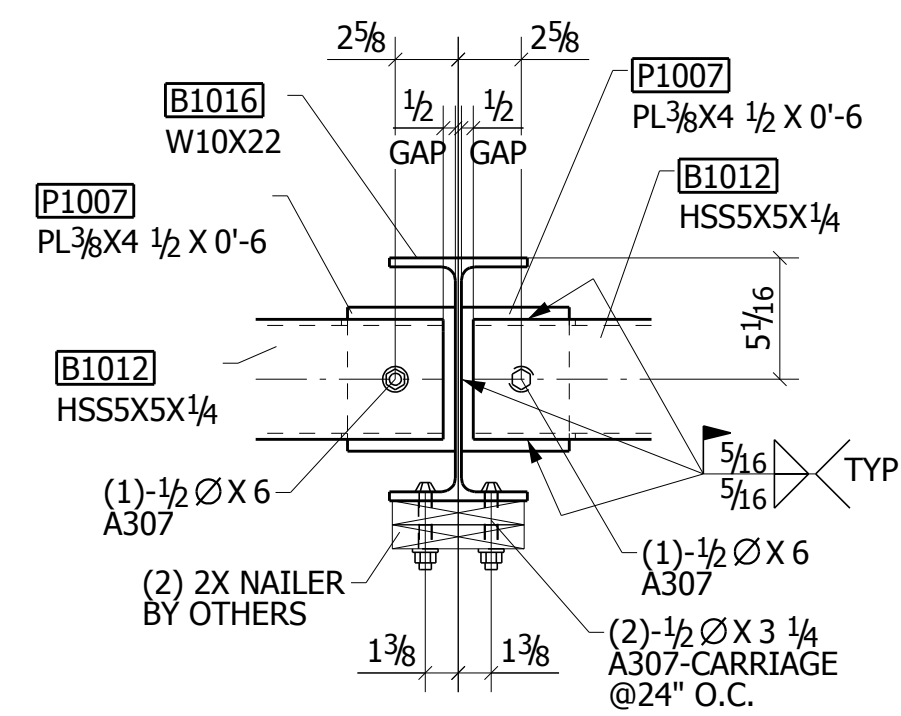


E - E
REF: 10/S601

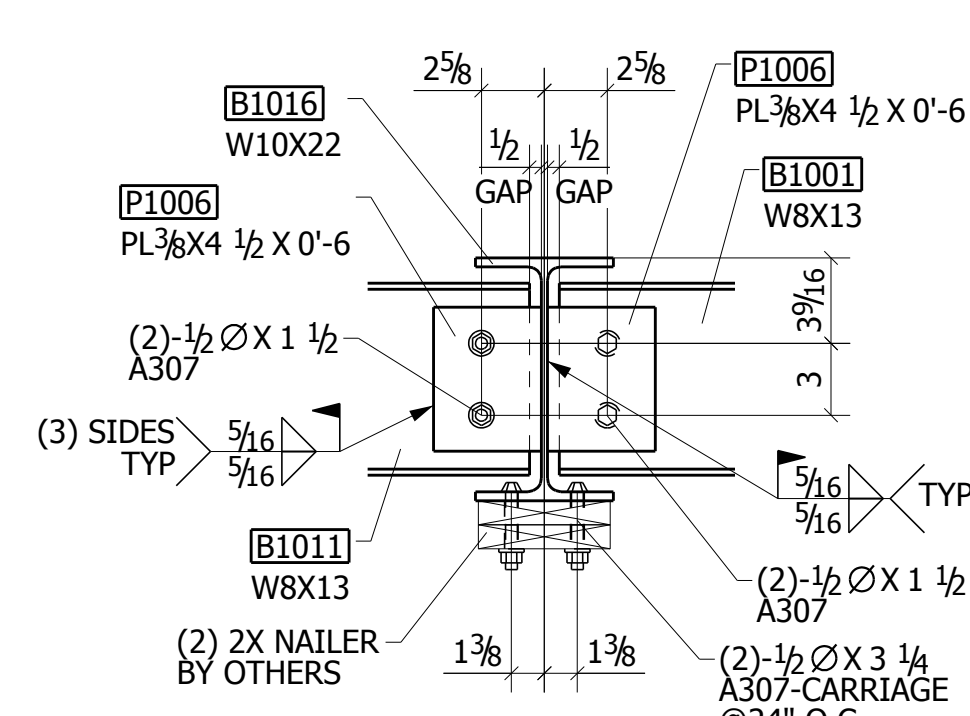
APR'R VERIFY ALL CLOUDED DIMS AND ELEVATIONS

WORK THIS SHEET WITH SHEET E-101, E-103

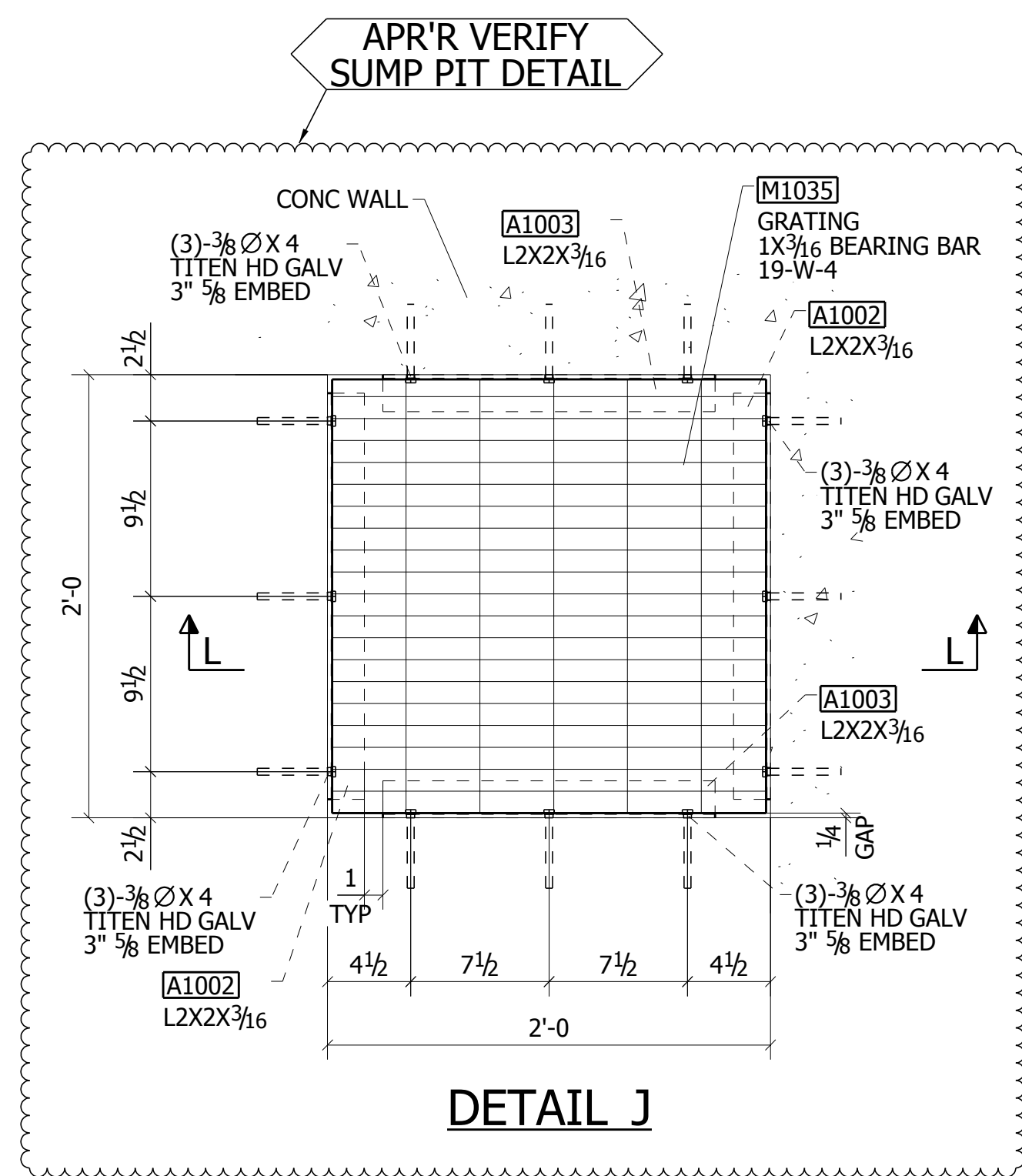
REV.	DATE	DESCRIPTION	Y/L
A	09/25/2023	ISSUED FOR APPROVAL	YL
VERIFICATION OF DIMENSIONS, DETAILS AND ETC. ARE REQUESTED, WHERE INDICATED. IF EACH VERIFICATION IS NOT NOTED OTHERWISE, IT WILL BE ASSUMED TO BE CORRECT AS SHOWN.			
PROJECT:			
LOCATION:			
CONTRACTOR:			
ENGINEER:			
DETAILER:			
DRAWN BY:	CHKD. BY:	JOB No.:	SHEET No.:
YL	PB	36725	E-102
			REV.:
			A



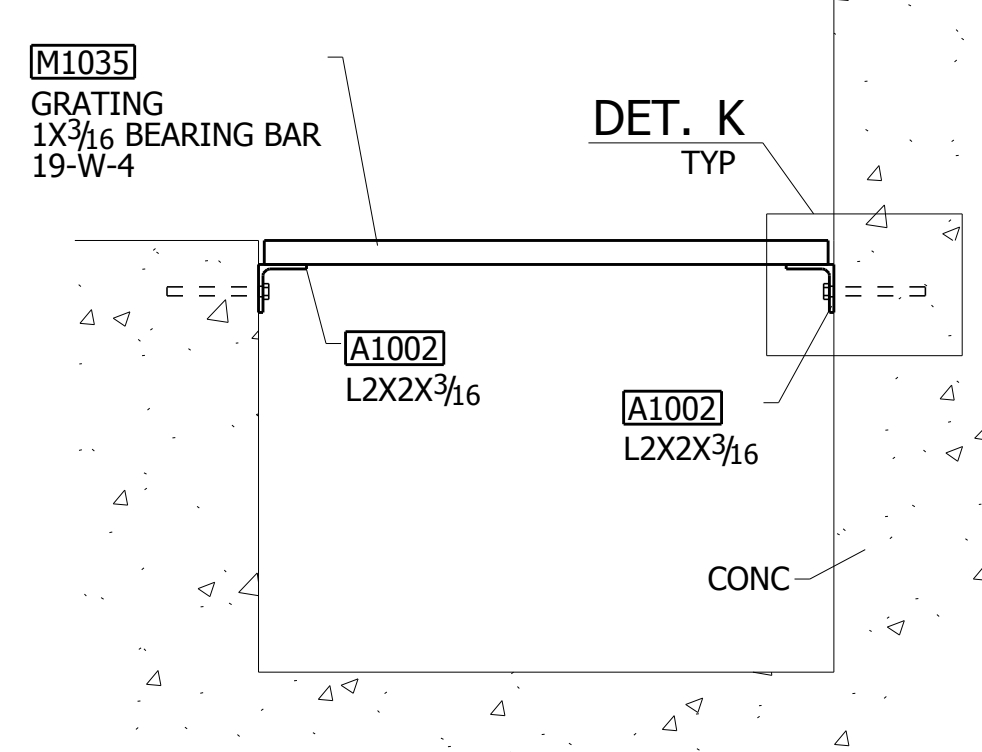
DETAIL G
REF: 11/S702



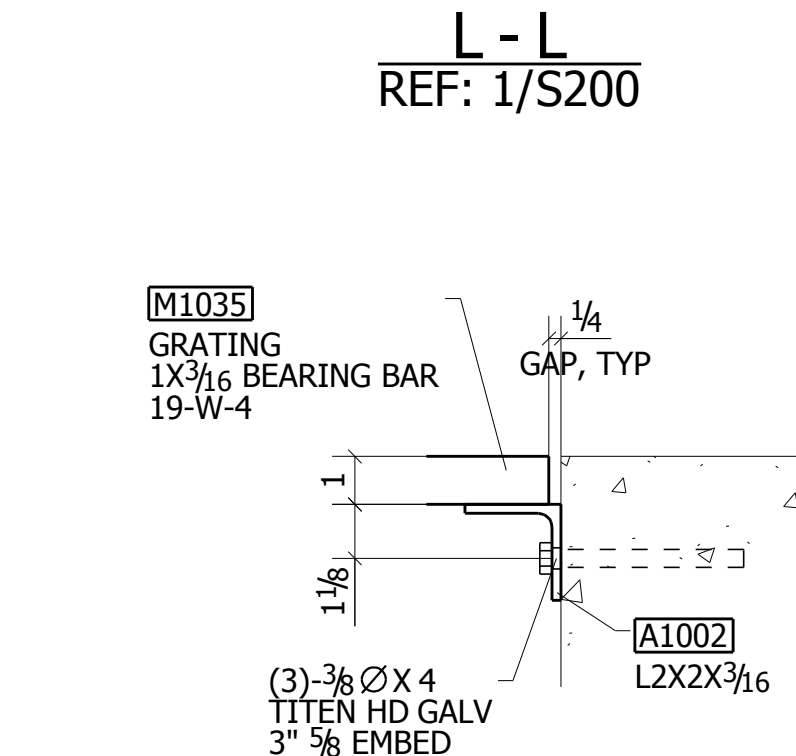
DETAIL H
REF: 5/S601



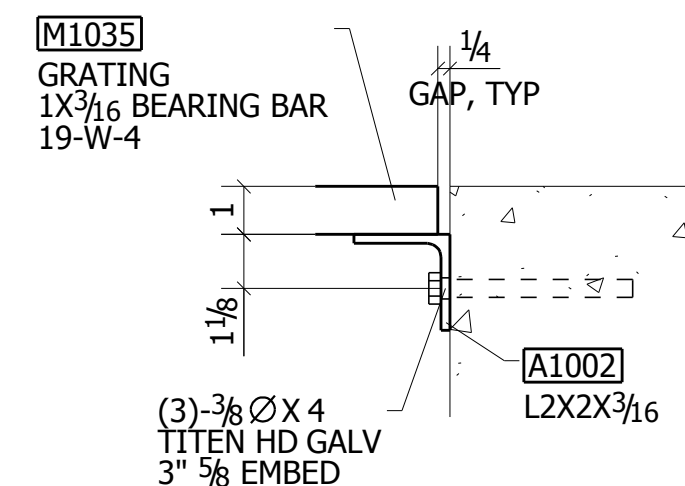
DETAIL J



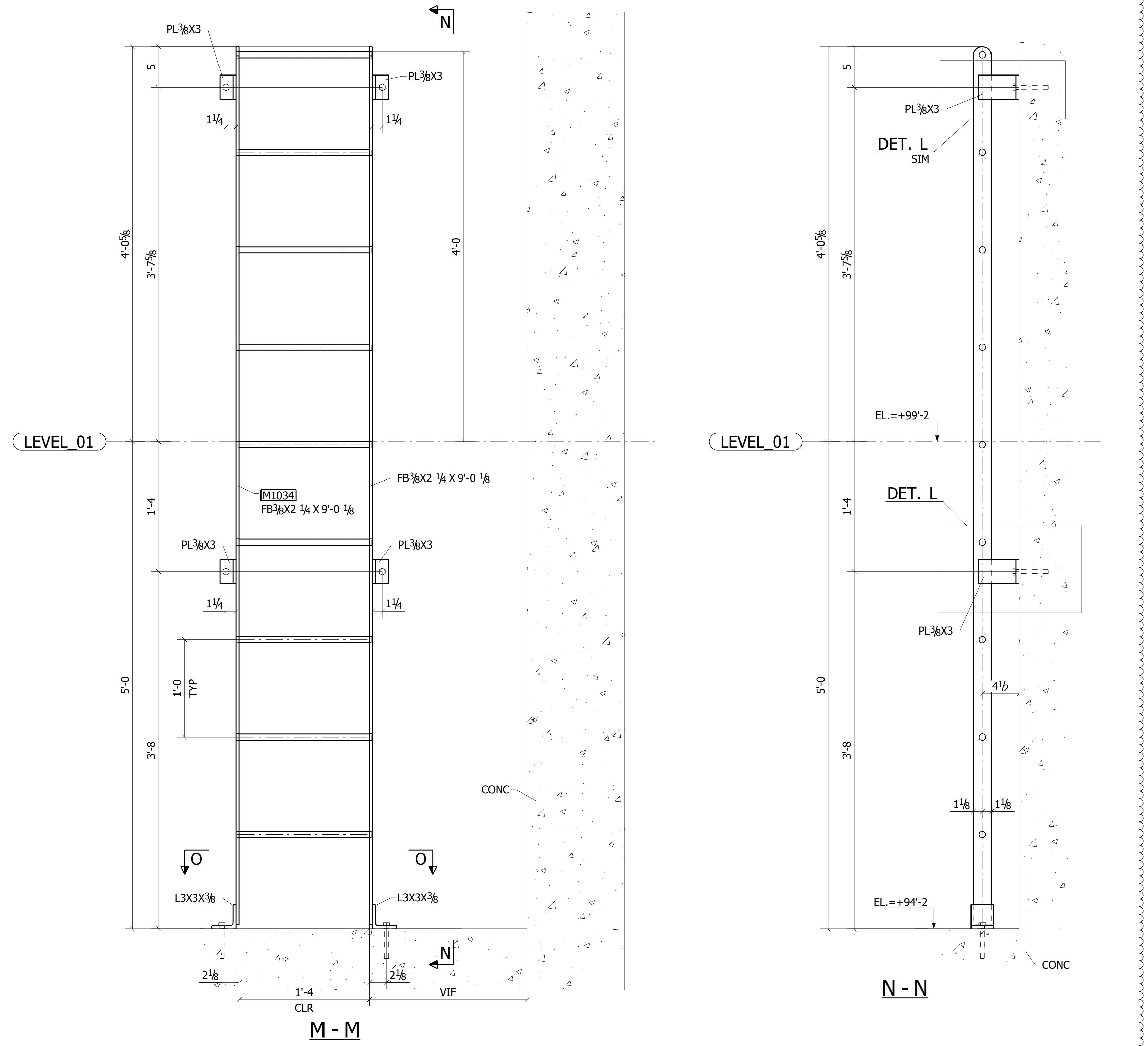
DETAIL K



L - L
REF: 1/S200



DETAIL K

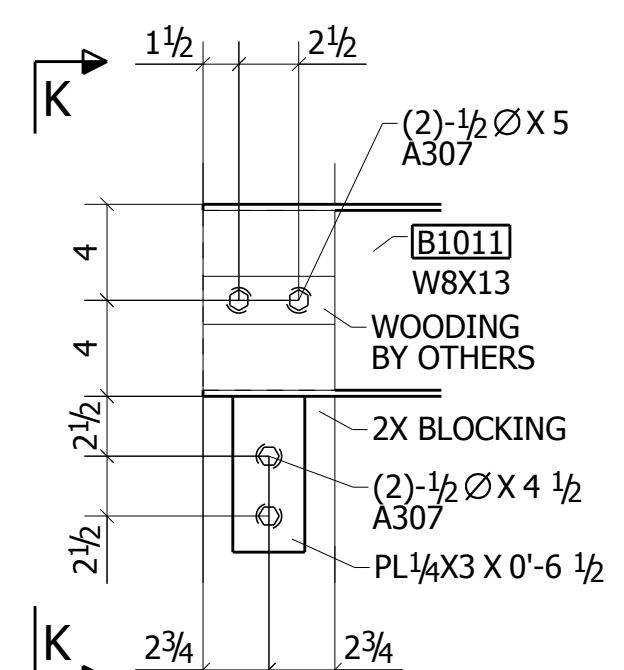


LEVEL_01

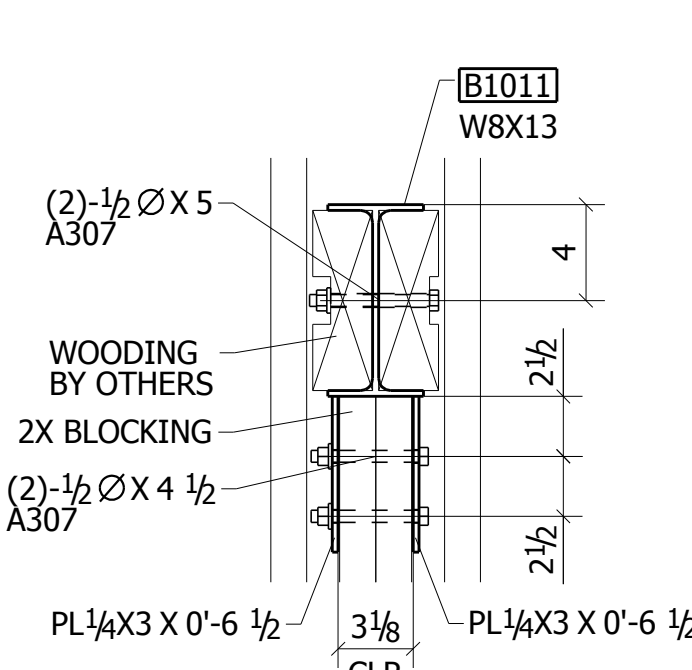
LEVEL_01

M - M

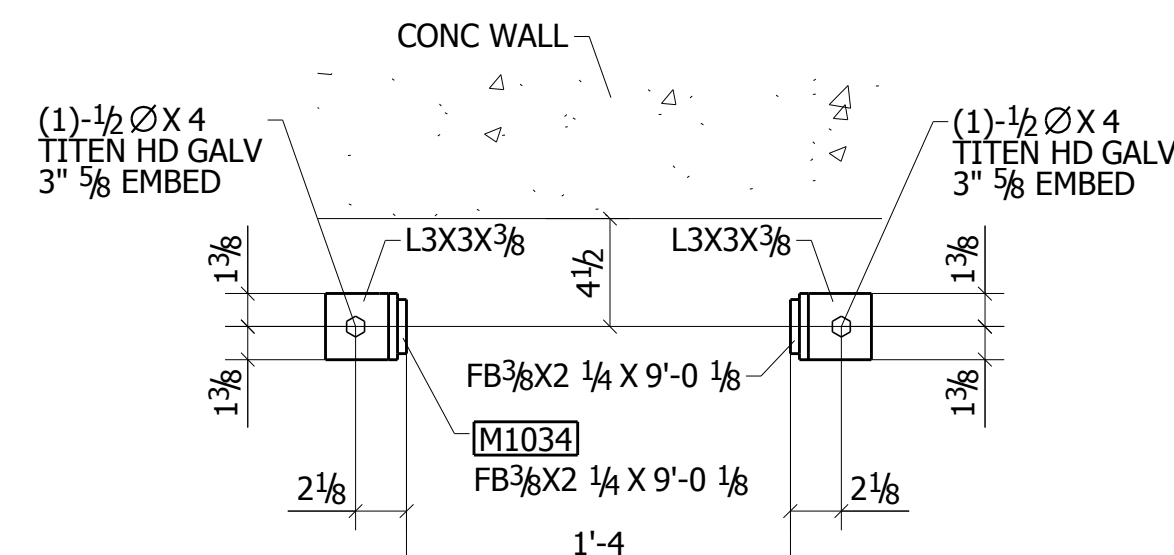
N - N



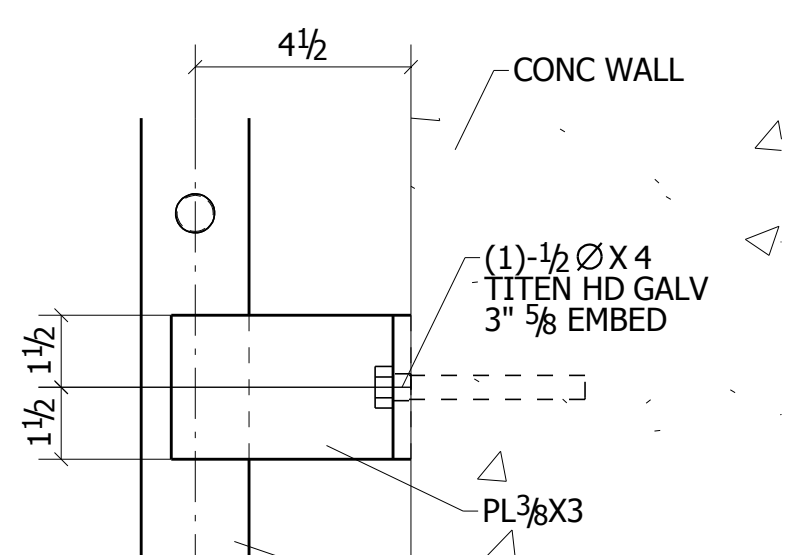
DETAIL I
REF: 9/S702



K - K
REF: 9/S702




O - O



DETAIL L

APR'R VERIFY DETAILS

WORK THIS SHEET WITH SHEET E-101, E-102

REV.	DATE	ISSUED FOR APPROVAL	YL
		DESCRIPTION	BY
VERIFICATION OF DIMENSIONS, DETAILS AND ETC. ARE REQUESTED, WHERE INDICATED. IF EACH VERIFICATION IS NOT NOTED OTHERWISE, IT WILL BE ASSUMED TO BE CORRECT AS SHOWN.			
			
PROJECT:			
LOCATION:			
CONTRACTOR:			
ENGINEER:			
DETAILER:			
DRAWN BY:	CHKD. BY:	JOB No.:	SHEET No.:
YL	PB	36725	E-103
			REV.:
			A