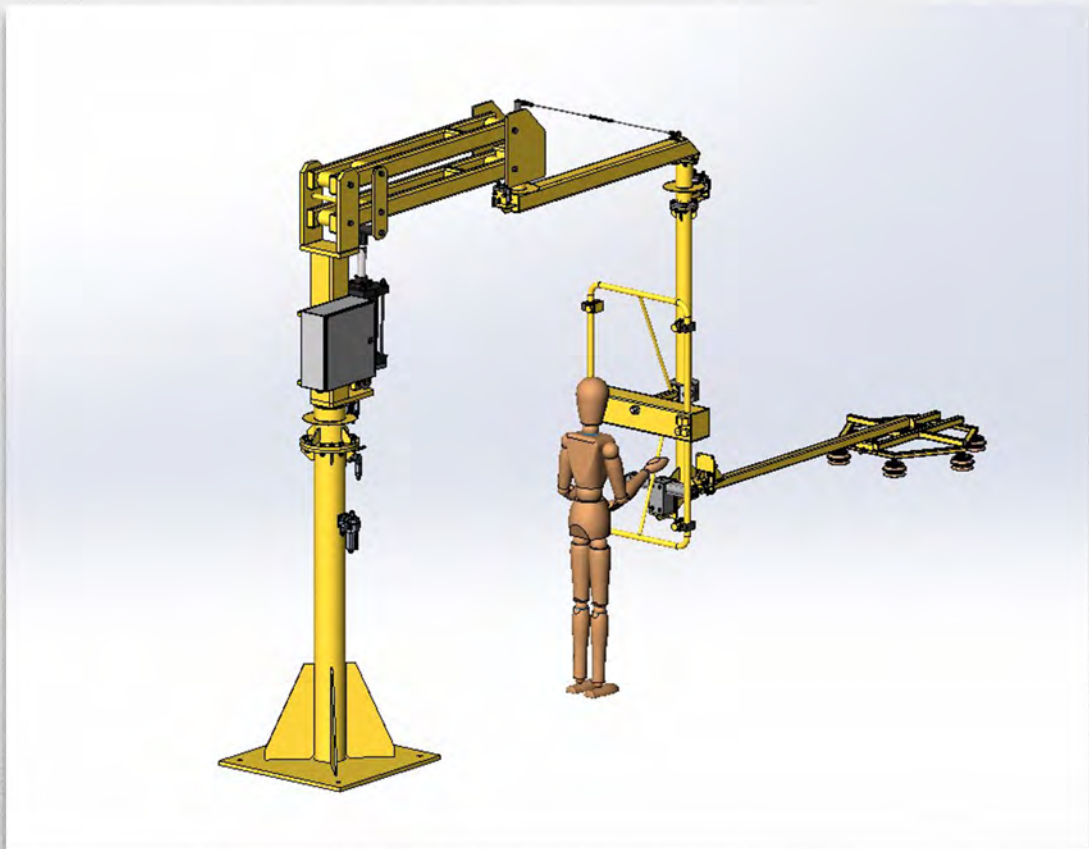
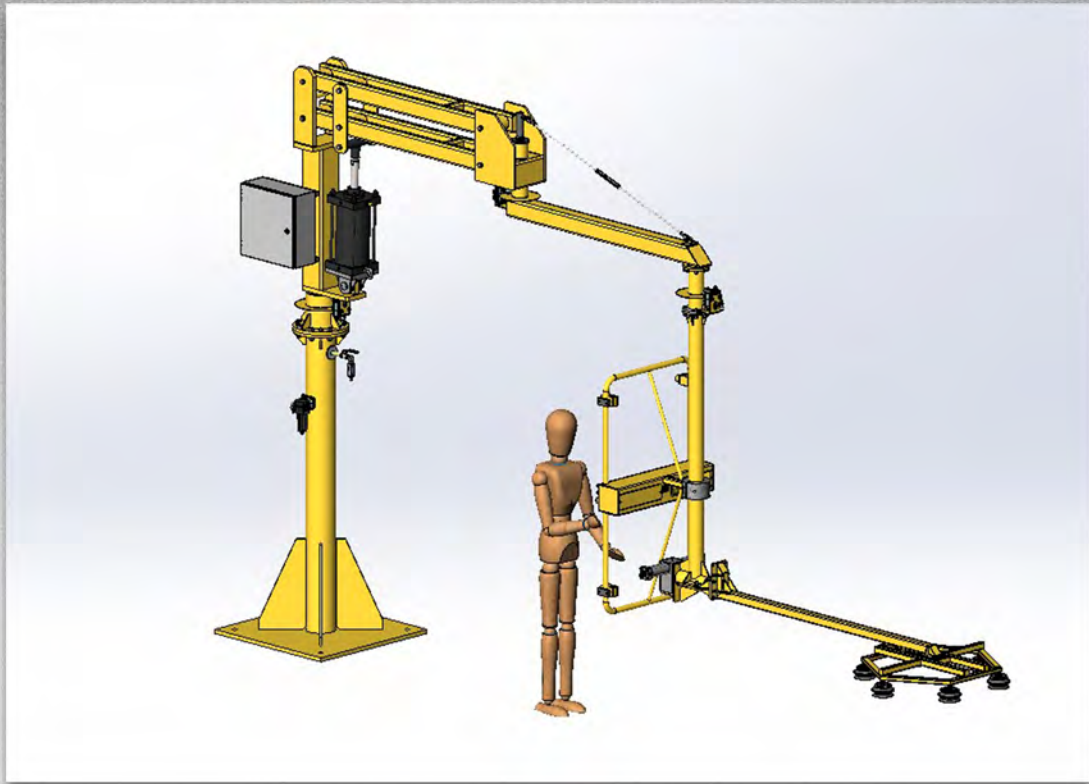


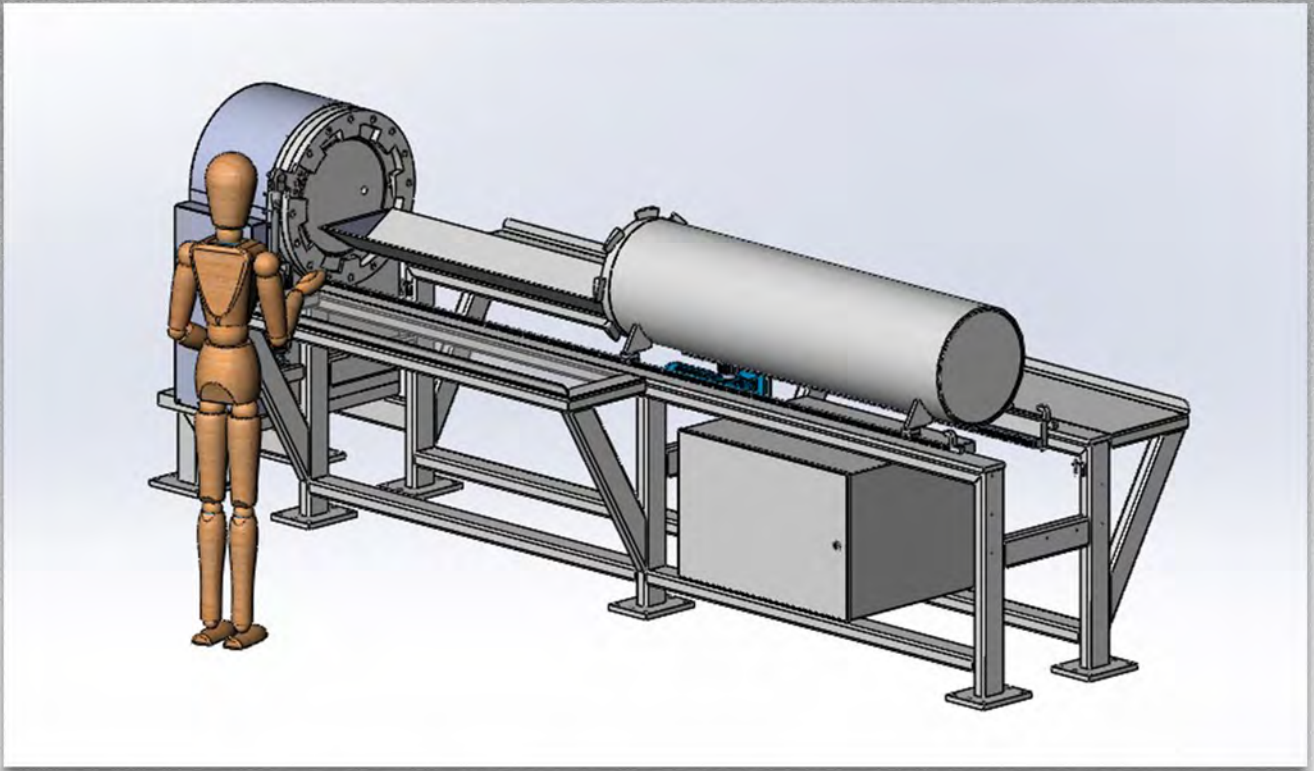
KOMAROV ANDRII

PORTFOLIO

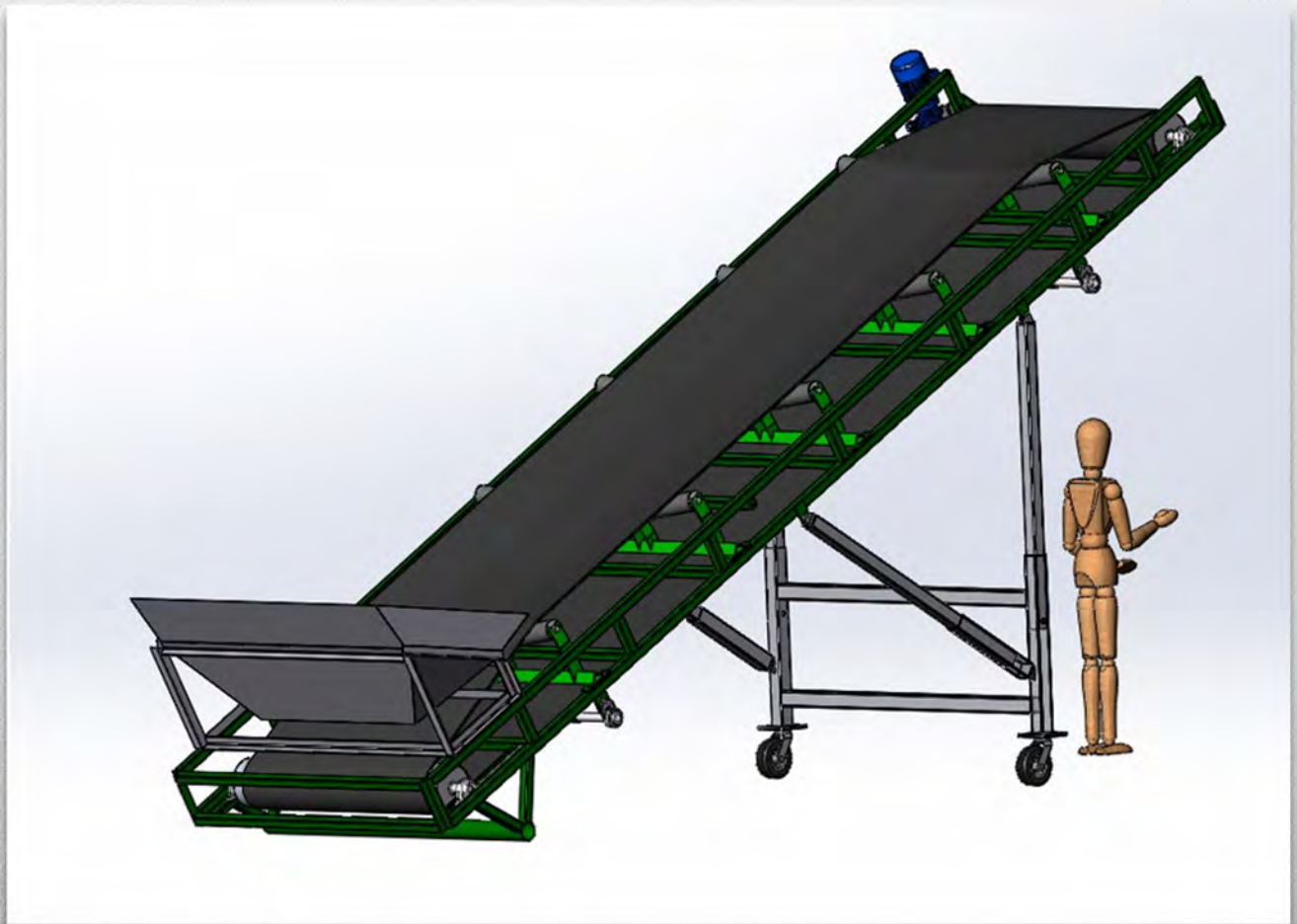


PNEUMATIC MANIPULATOR WITH SUCTION CUPS

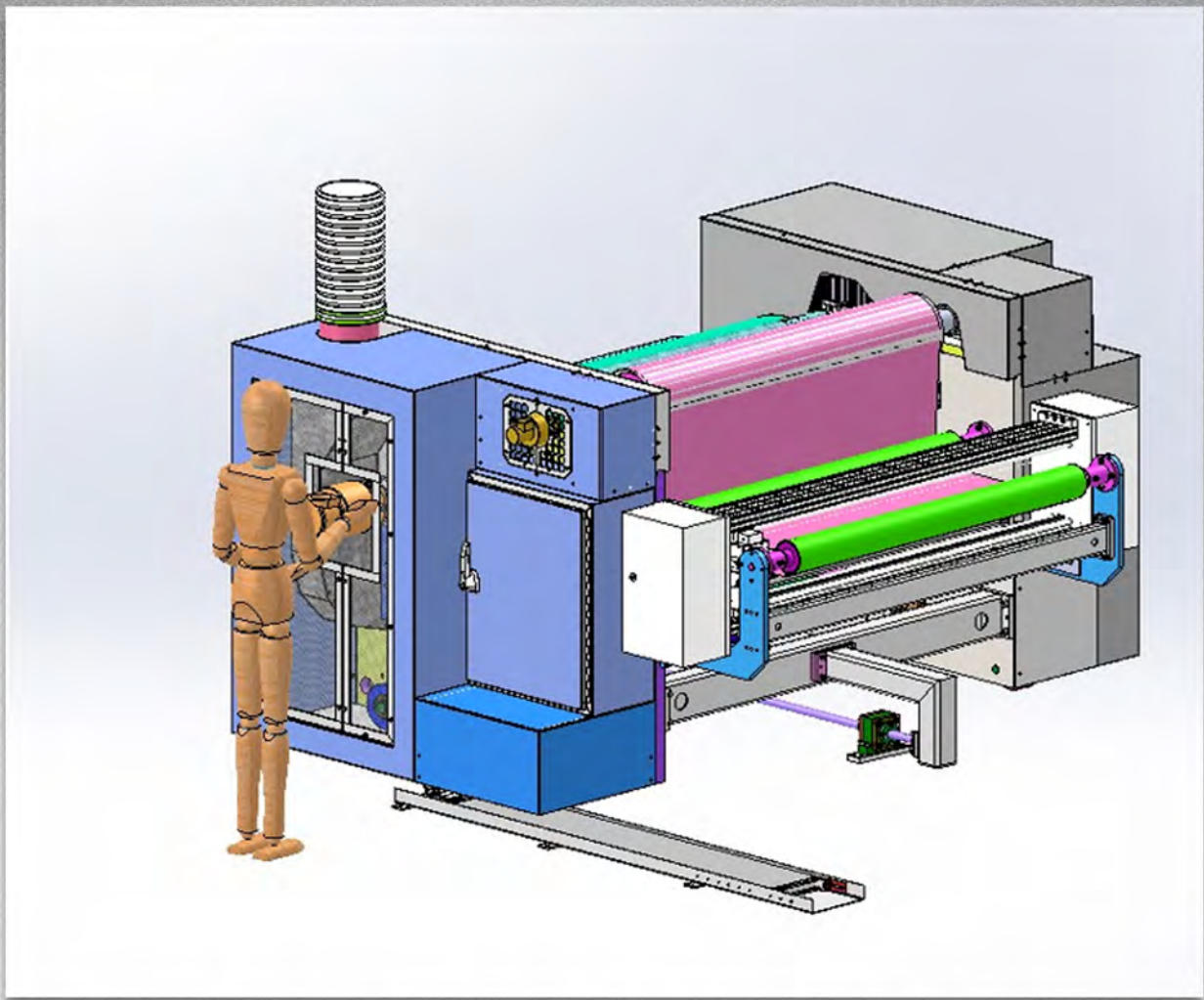
I was a part of the dev team (2 people) on this project. We got a bunch of pictures of existing manipulator with some dimensions and the task was: to make the same manipulator in 3d; all DWGs and BOM's to start production.



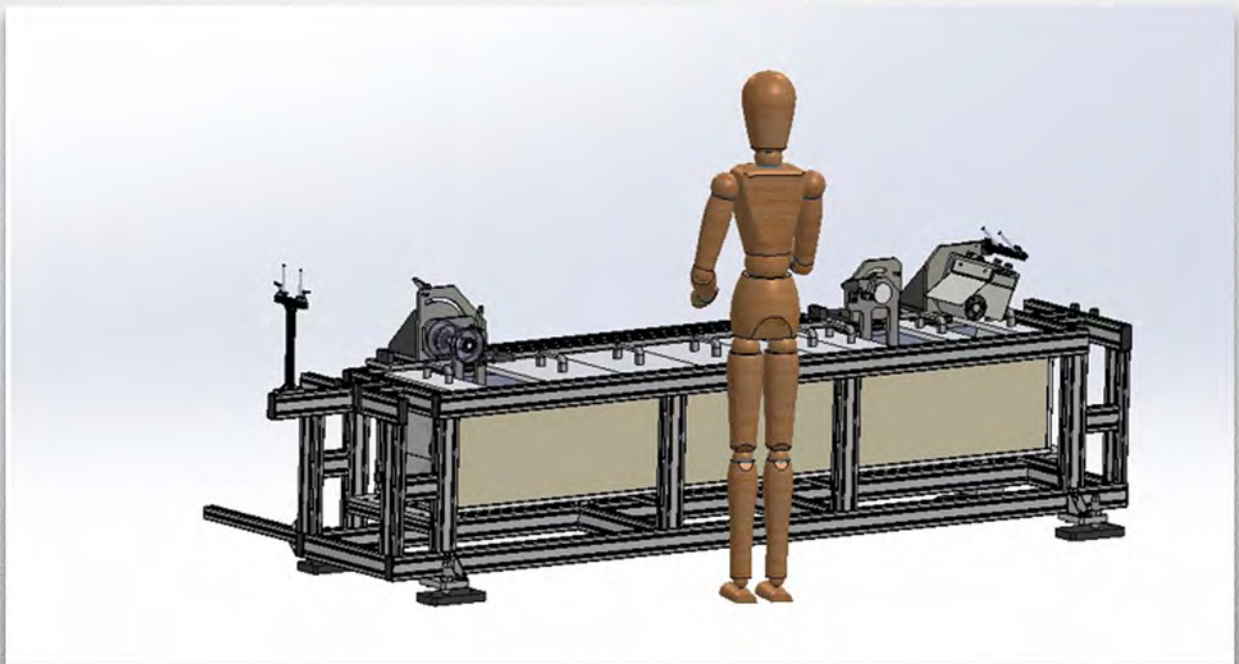
I designed(3d models, DWG's etc.) the Pressure chamber to clear Polymer Film Rolls.



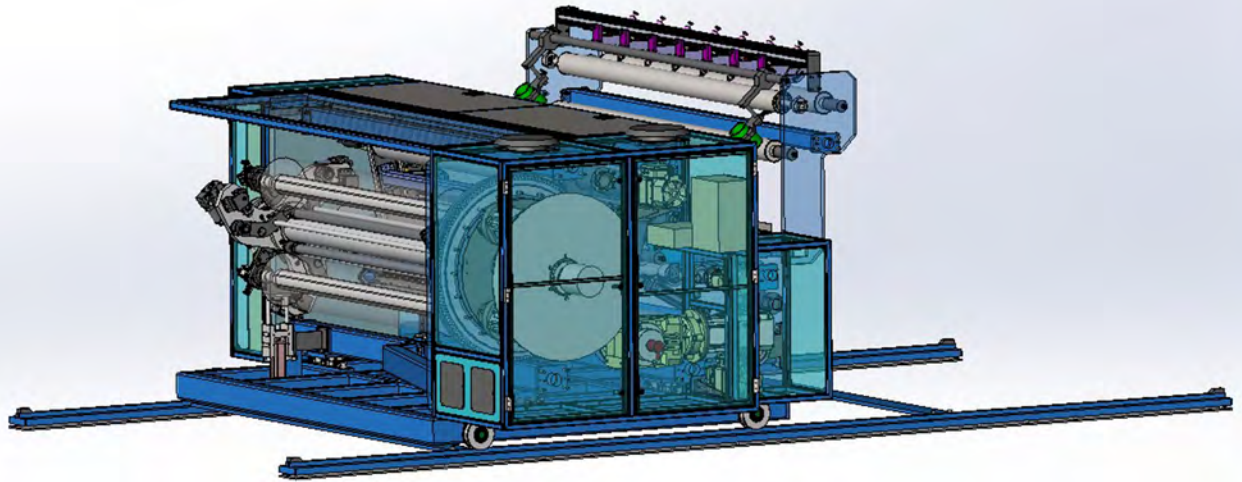
I designed(3d models, DWG's etc.) the conveyor for cement and sand .



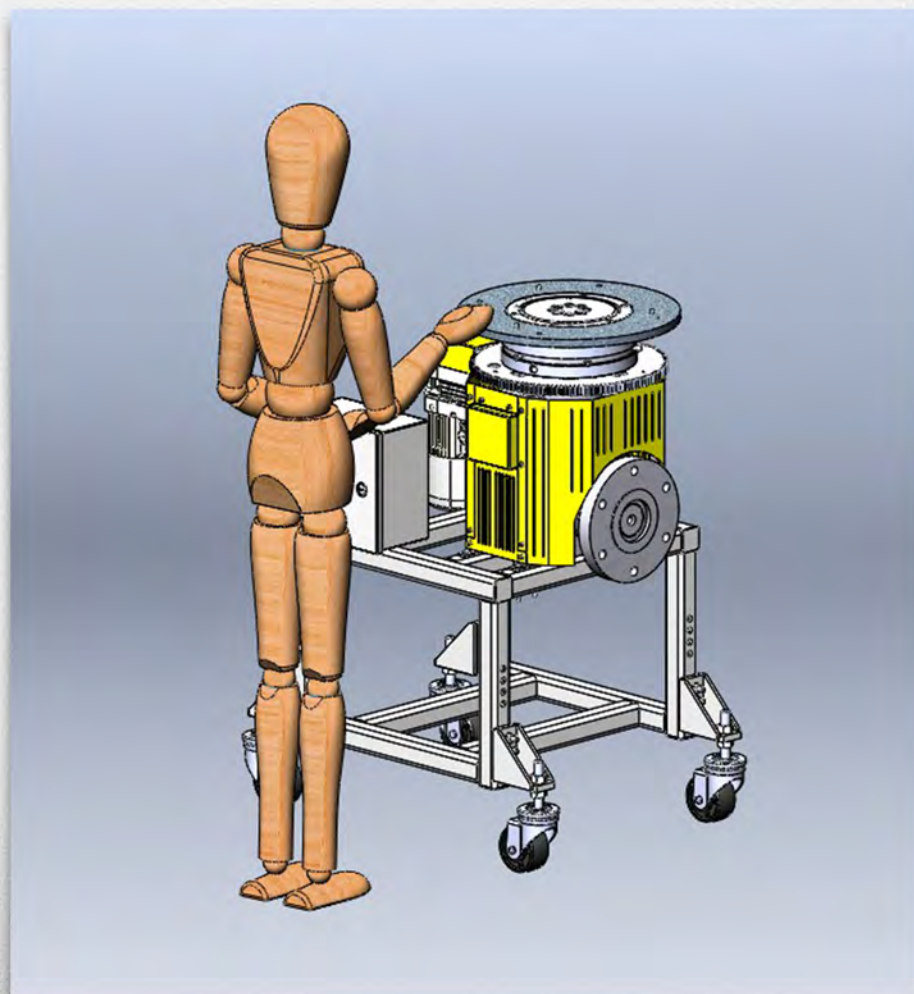
I was a part of the team of 2 people who adjusted existing (previous was wider) Chill-Roll machine, done all needed for production DWG's.



I was a part of the 2ppl team who designed this hot water bath for polymer film.



I got all 3d models in millimeters and I should: change all standart millimeter material to imperial, change all the fasteners, and make all the drawings that were needed for manufacturing.



I got sketch with dimensions of die head and I make a design of the frame, shields(3d models, DWG's etc.)

And also as it's said in my CV I'm injection mold designer with more than 8 years experience.

