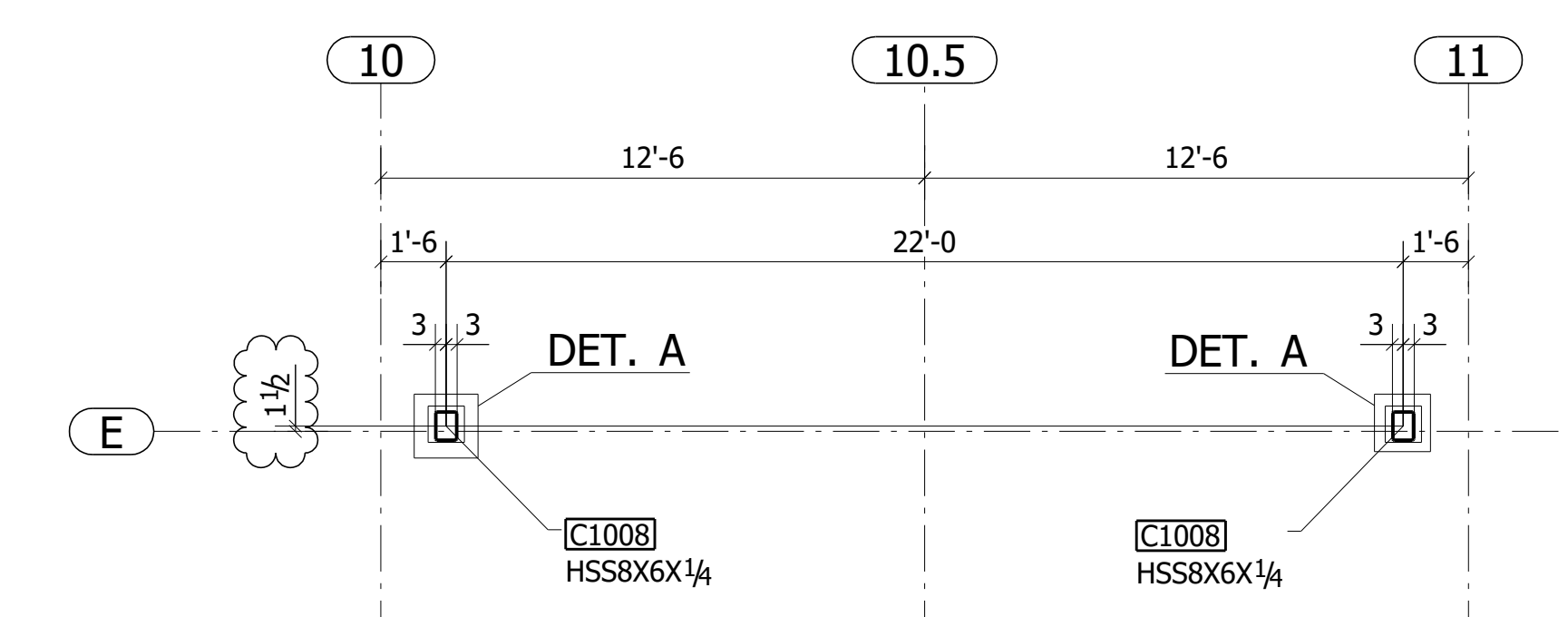
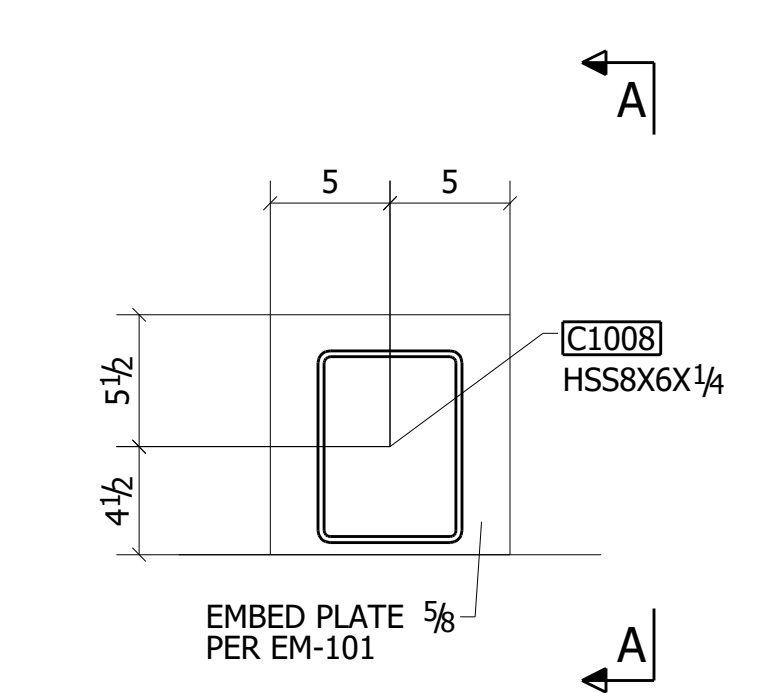


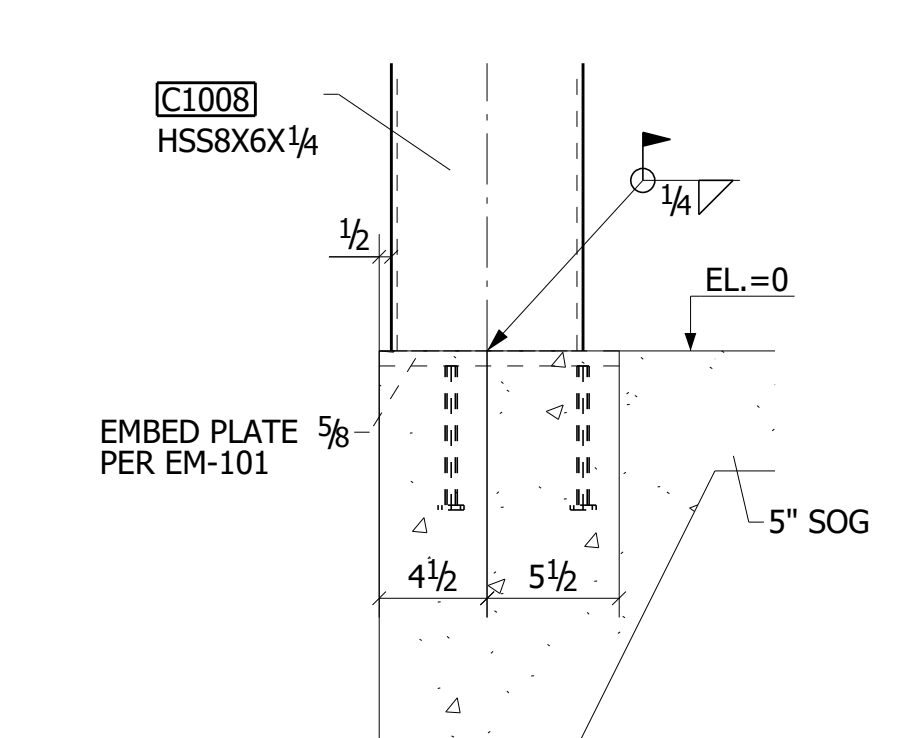
COLUMNS PLAN. LEVEL 2
REF: 2/A1.1, 2/A2.6, 1/S1.2-Aw



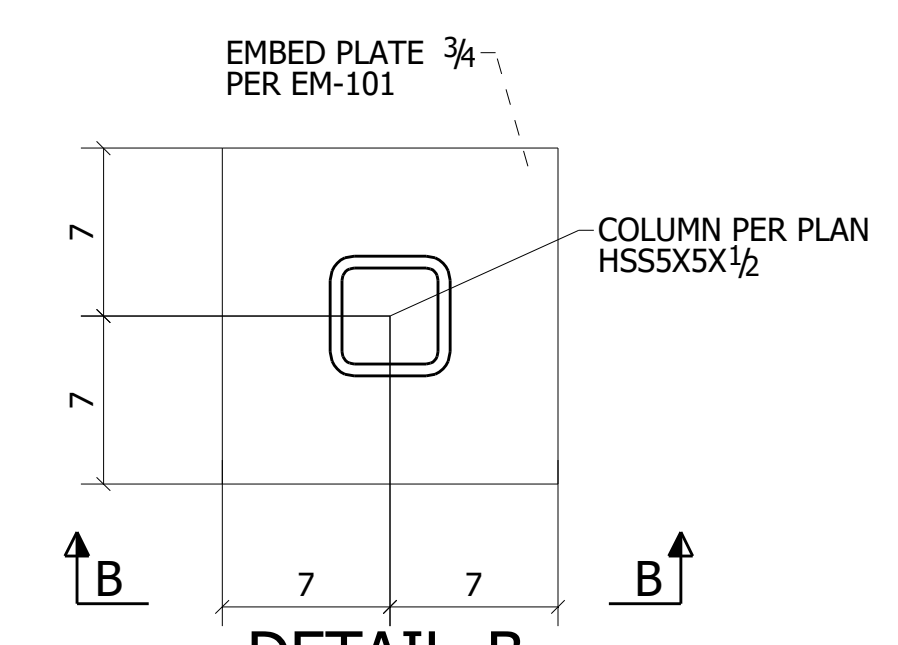
COLUMNS PLAN. GRADE LEVEL
REF: 1/A1.1, 1/A2.5, 1/S1.1-A



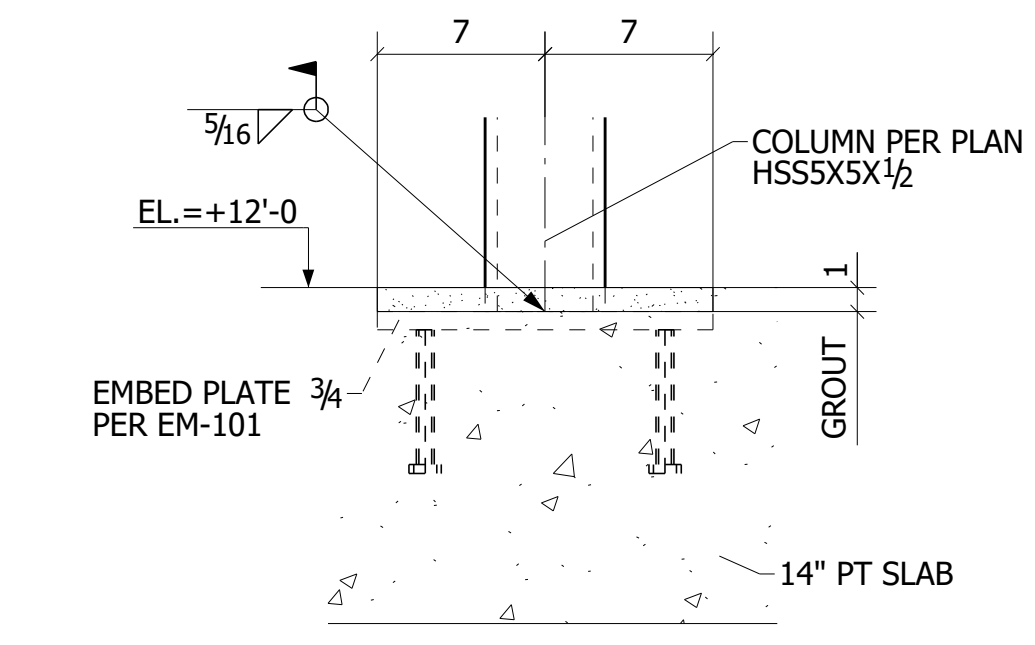
DETAIL A
REF: 11/S3.01



A - A
REF: 11/S3.01



DETAIL B
REF: 9/S3.01, 7/S4.11

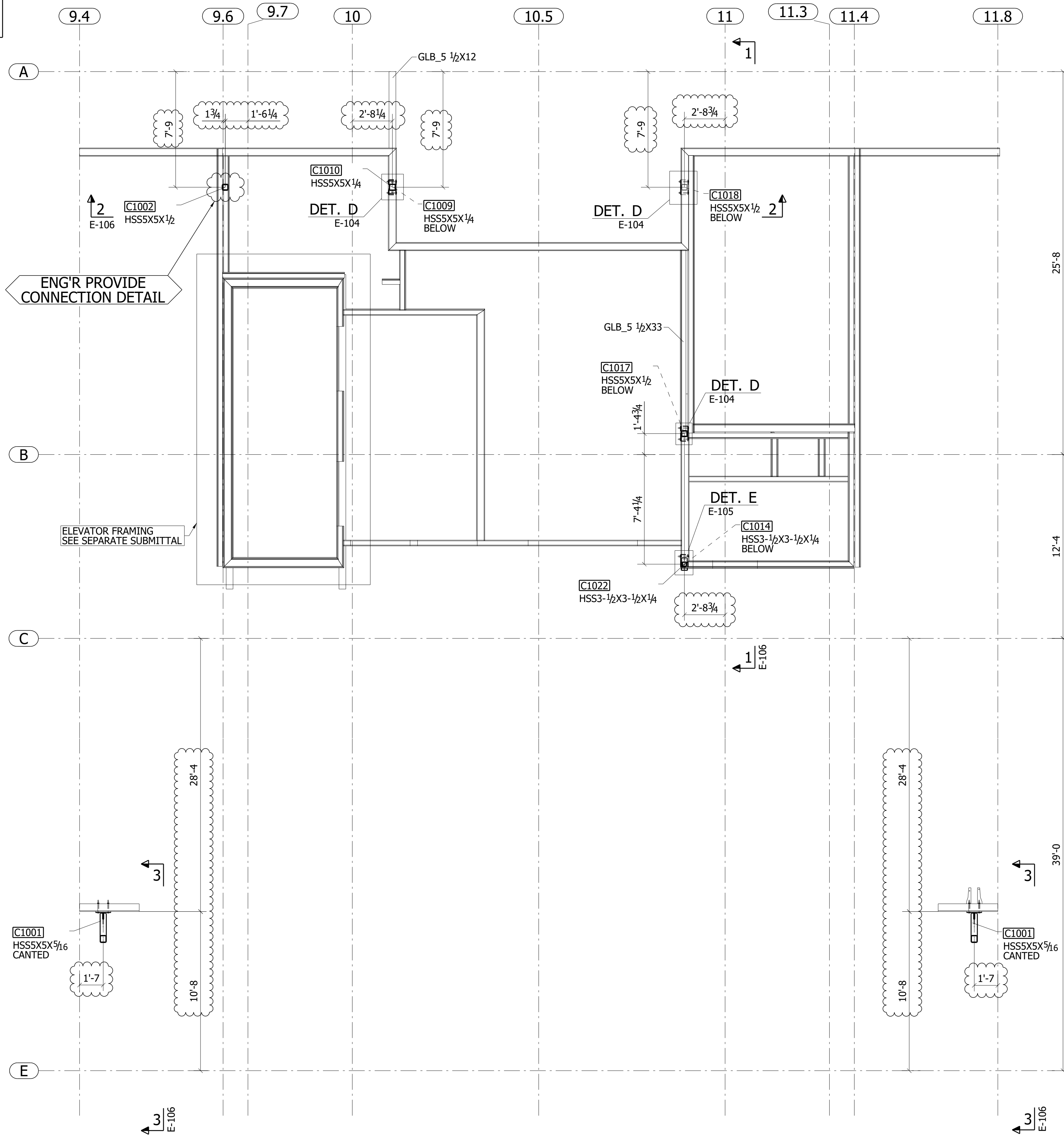


B - B
REF: 9/S3.01, 7/S4.11

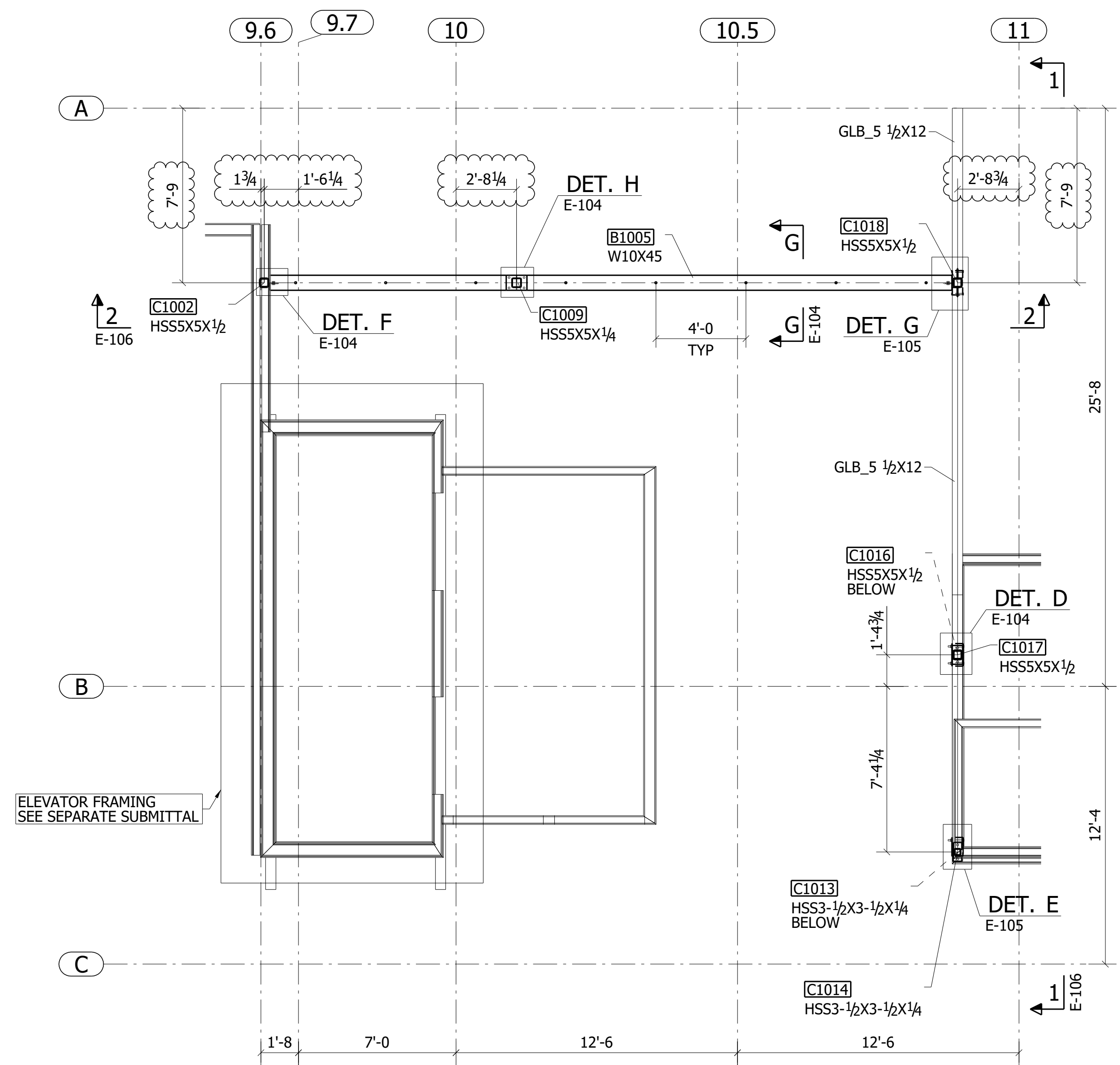
APR'R VERIFY
ALL CLOUDED DIMS

WORK THIS SHEET WITH SHEET E-102, E-103, E-104, E-105, E-106

REV. A	12/07/2023	ISSUED FOR APPROVAL	YL
REV.	DATE	DESCRIPTION	BY
VERIFICATION OF DIMENSIONS, DETAILS AND ETC. ARE REQUESTED, WHERE INDICATED. IF EACH VERIFICATION IS NOT NOTED OTHERWISE, IT WILL BE ASSUMED TO BE CORRECT AS SHOWN.			
PROJECT:			
LOCATION:			
CONTRACTOR:			
ENGINEER:			
DETAILER:			
COLUMNS PLAN. LEVEL 1, LEVEL 2			
DRAWN BY:	CHKD. BY:	JOB No.:	SHEET No.:
YL	PB	23-2661	E-101
REV.:			A



COLUMNS PLAN, LEVEL 4
REF: 4/A1.2, 5/A2.6, 1/S1.4-A

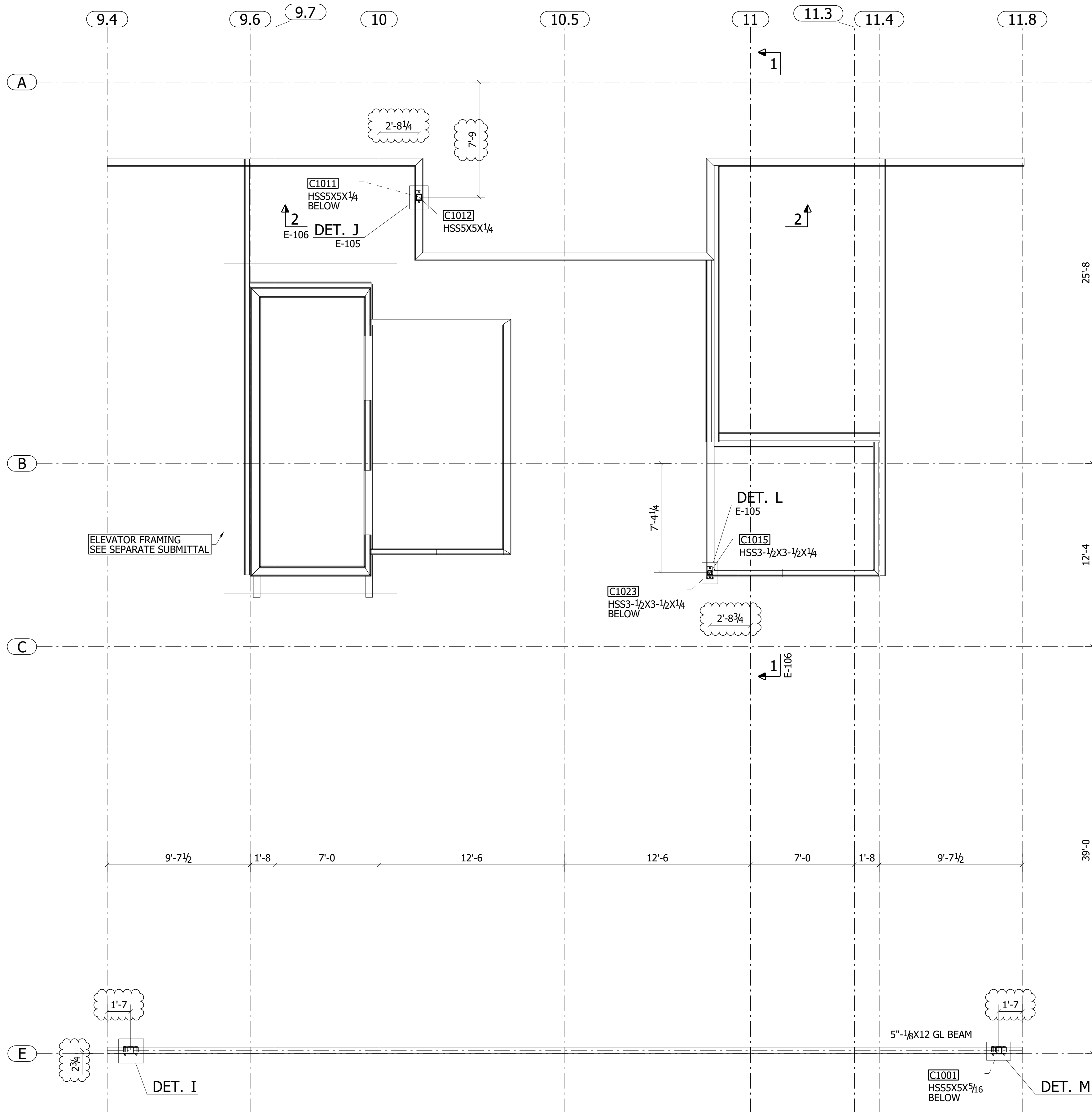


PARTIAL FRAMING PLAN, LEVEL 3
REF: 3/A1.2, 1/A2.6, 1/S1.3-A

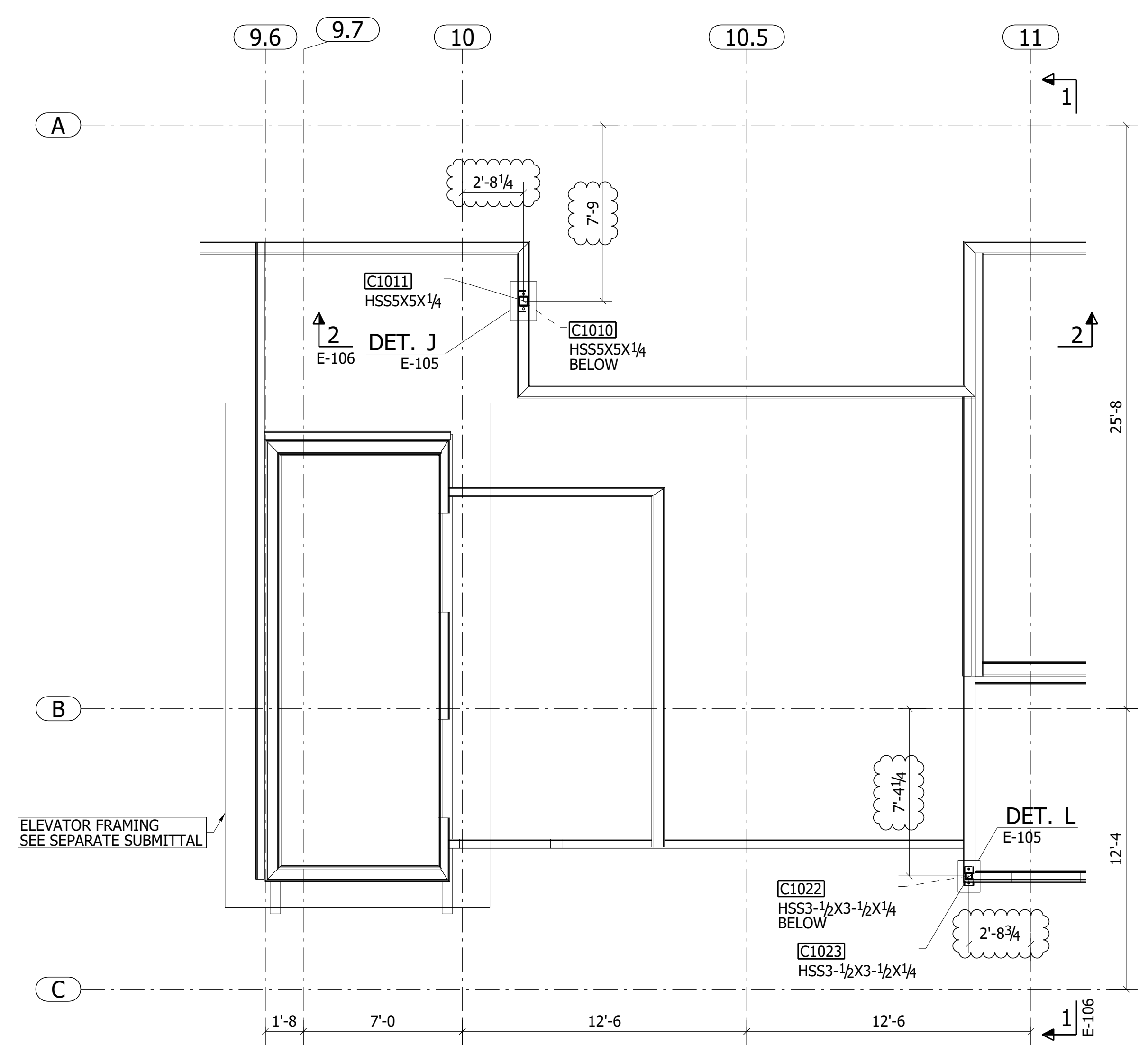
APR'R VERIFY
ALL CLOUDED DIMS

WORK THIS SHEET WITH SHEET E-101, E-103, E-104, E-105, E-106

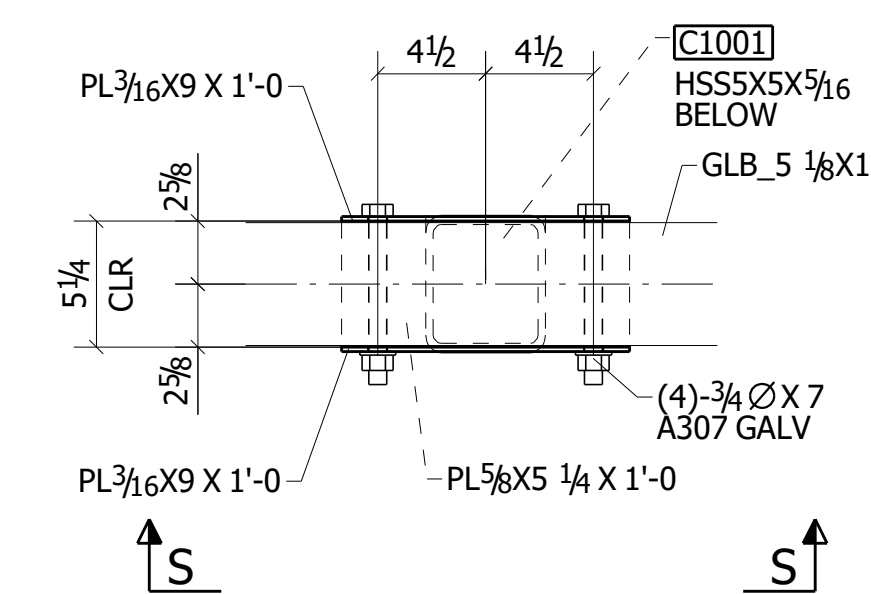
REV.	DATE	DESCRIPTION	BY
A	12/07/2023	ISSUED FOR APPROVAL	YL
VERIFICATION OF DIMENSIONS, DETAILS AND ETC. ARE REQUESTED, WHERE INDICATED. IF EACH VERIFICATION IS NOT NOTED OTHERWISE, IT WILL BE ASSUMED TO BE CORRECT AS SHOWN.			
PROJECT:			
LOCATION:			
CONTRACTOR:			
ENGINEER:			
DETAILER:			
PARTIAL FRAMING PLAN, LEVEL 3, LEVEL 4			
DRAWN BY:	CHKD. BY:	JOB No.:	SHEET No.:
YL	PB	23-2661	E-102
			REV.:
			A



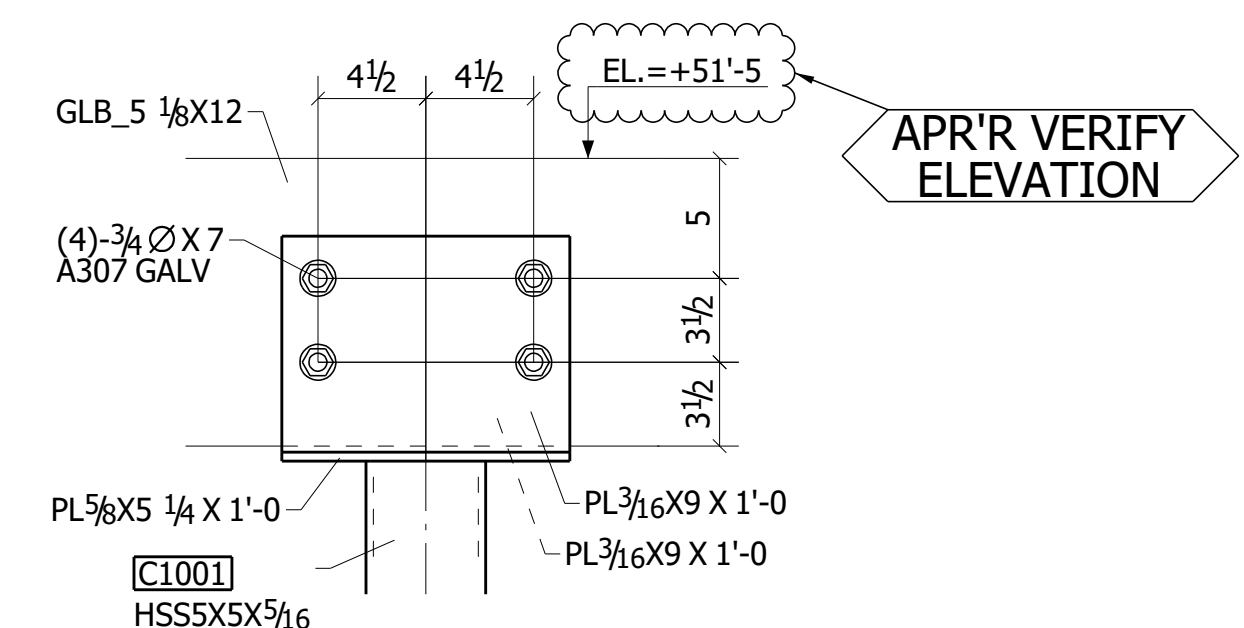
COLUMNS PLAN, LEVEL 6
REF: 6/A1.3, 3/A2.6, 1/S1.6-A



COLUMNS PLAN, LEVEL 5
REF: 5/A1.3, 4/A2.6, 1/S1.5-A



DETAIL M
REF: 9/S5.11

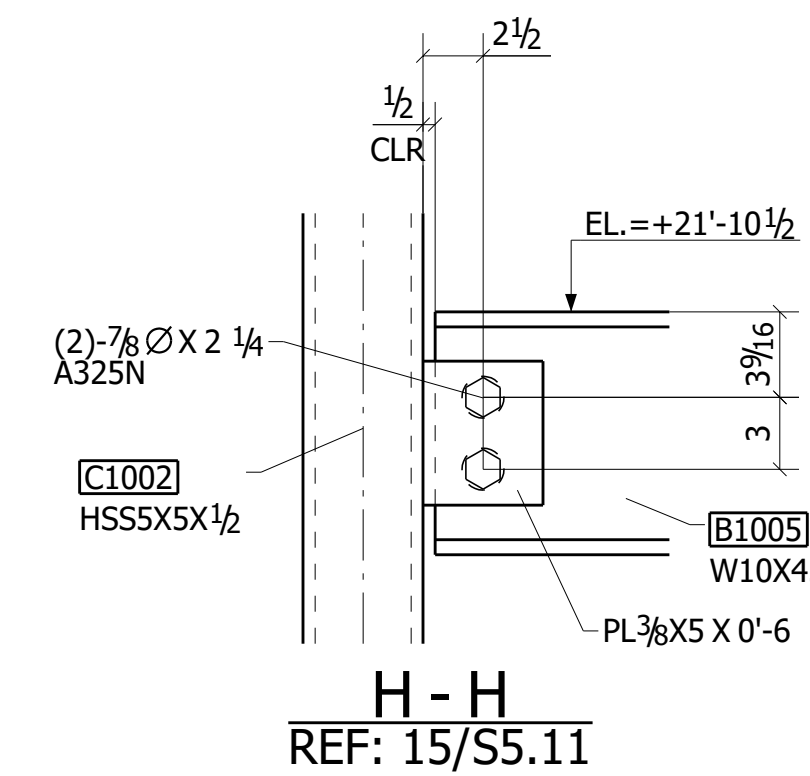
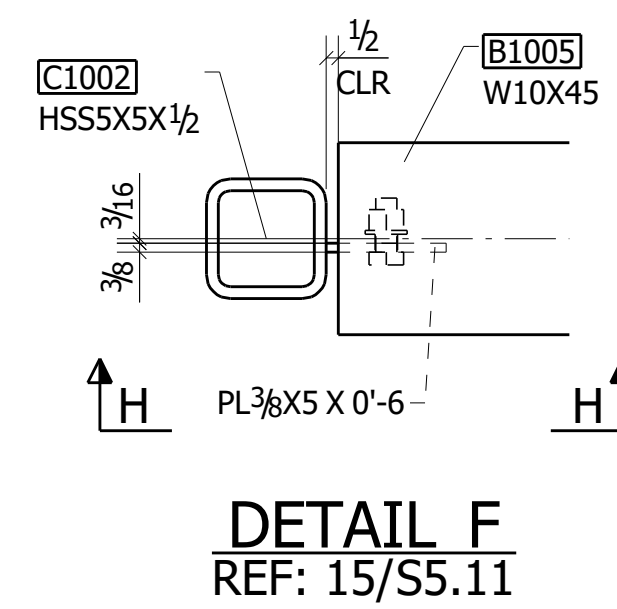
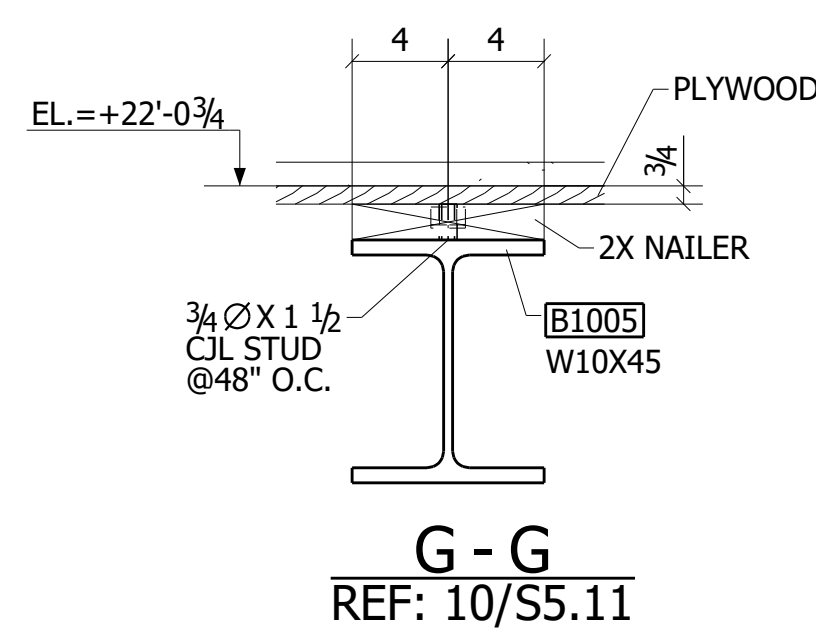
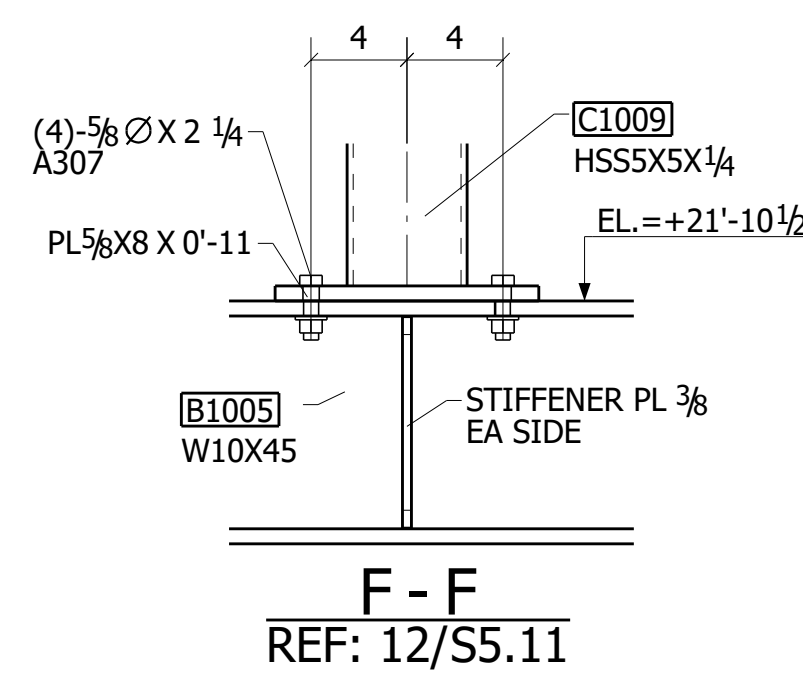
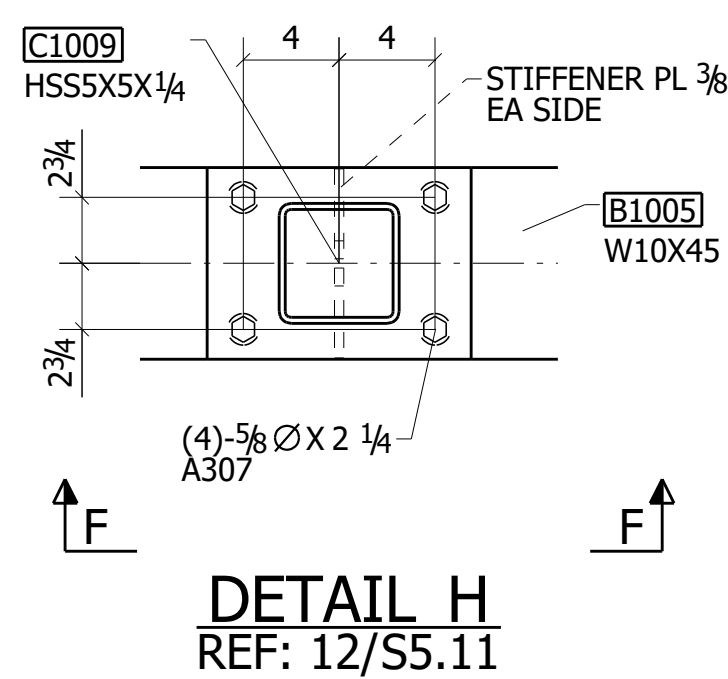
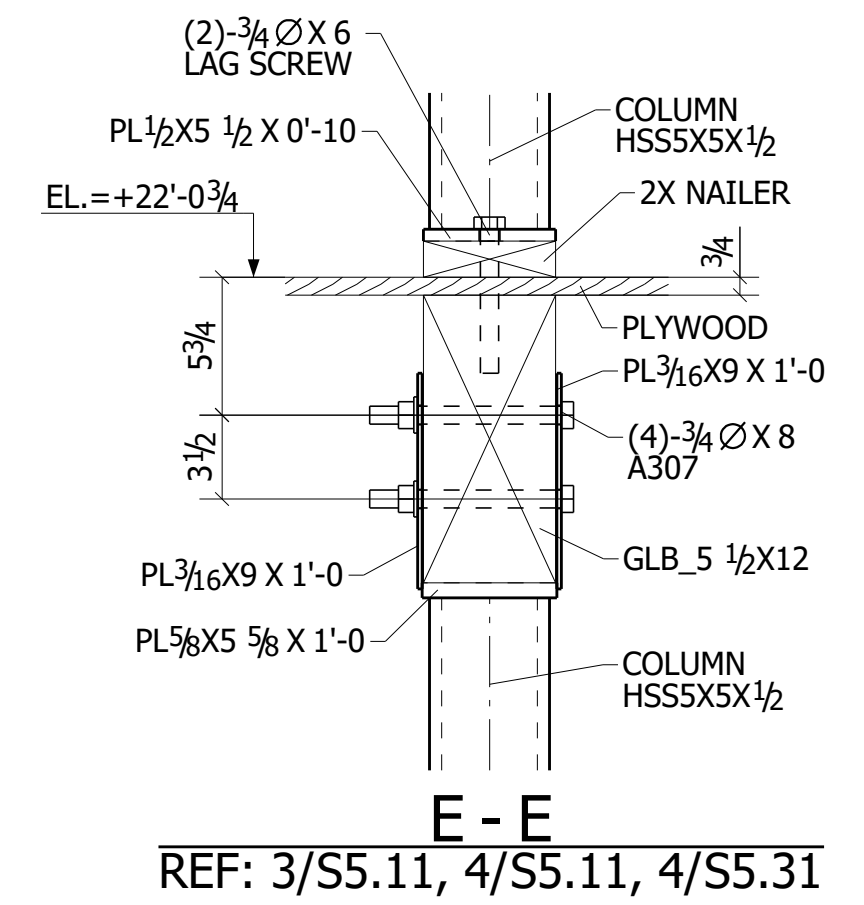
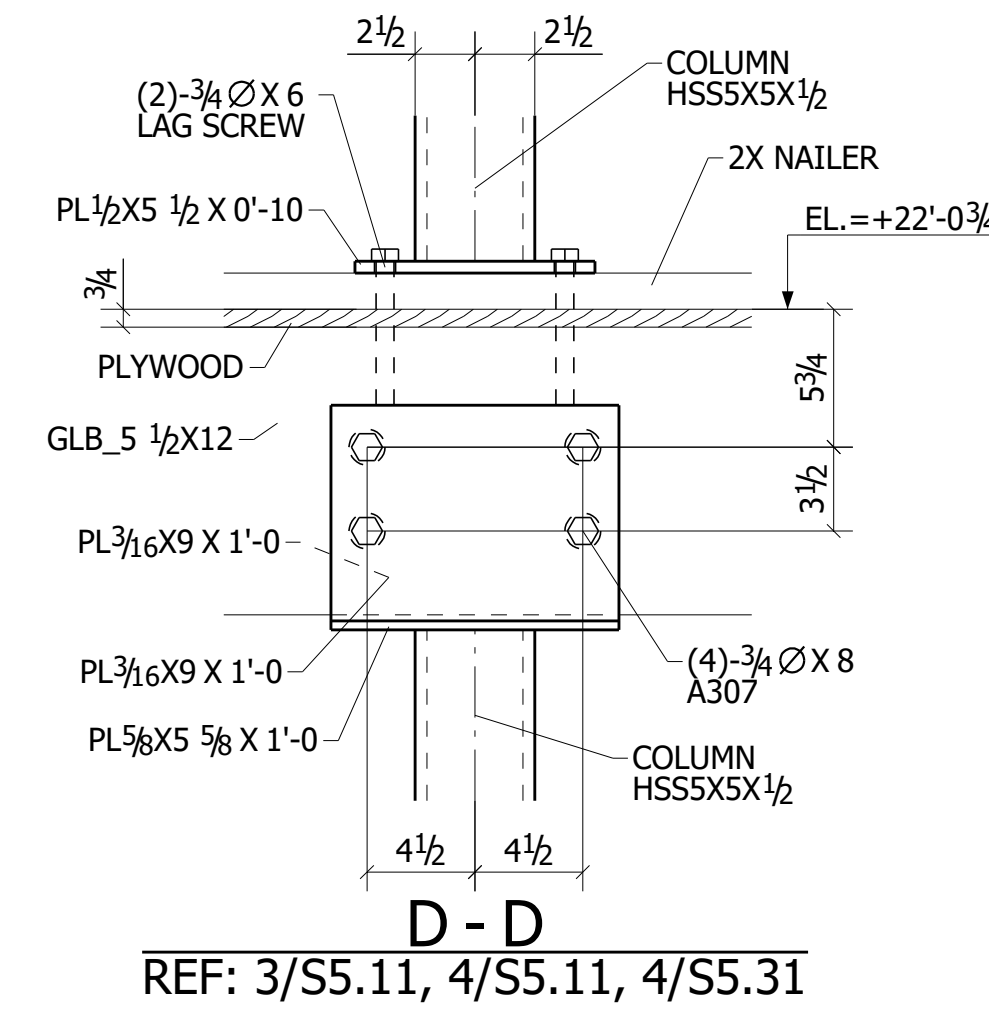
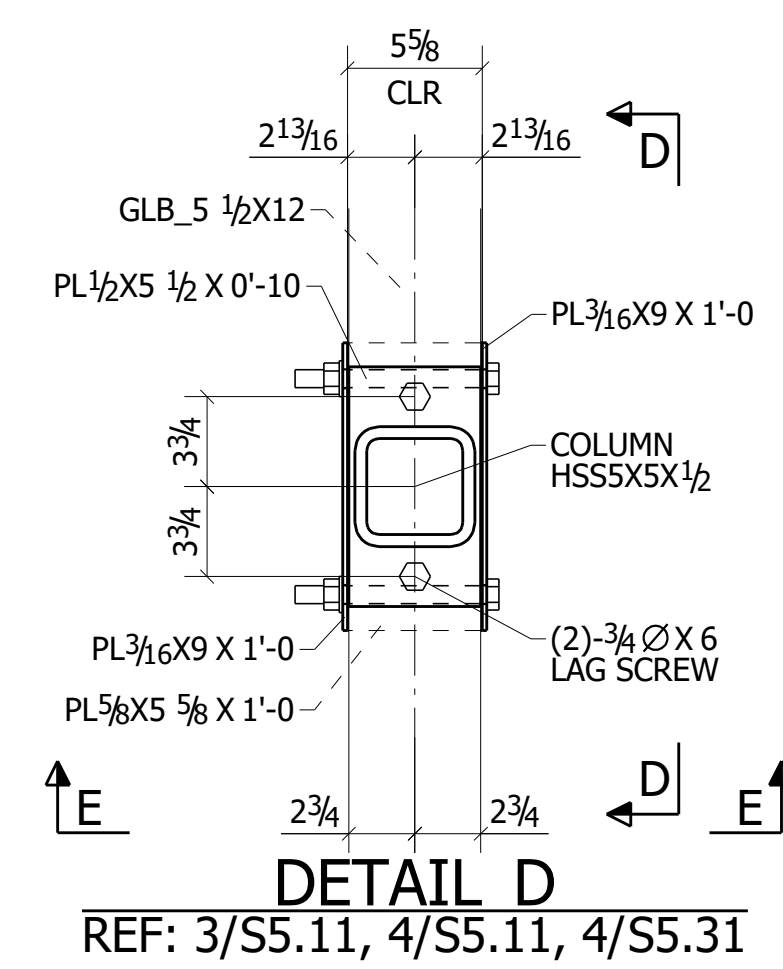
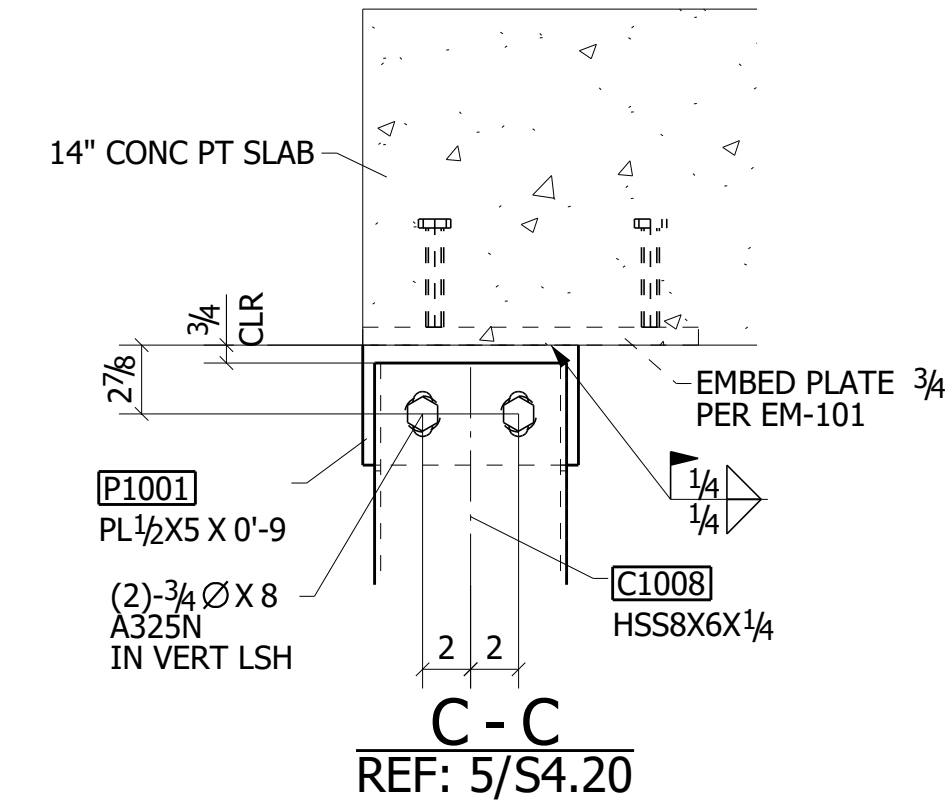
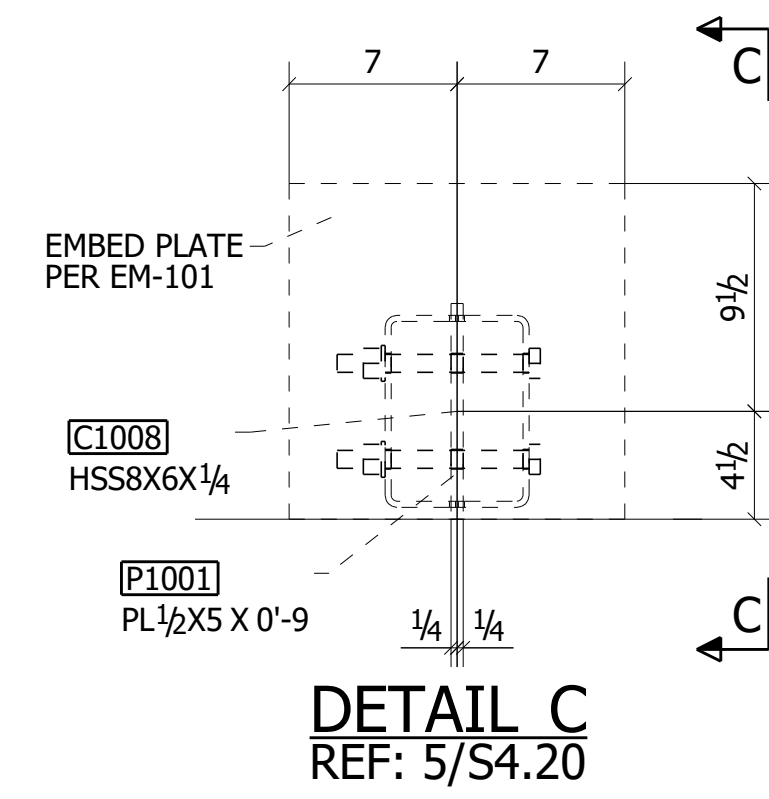
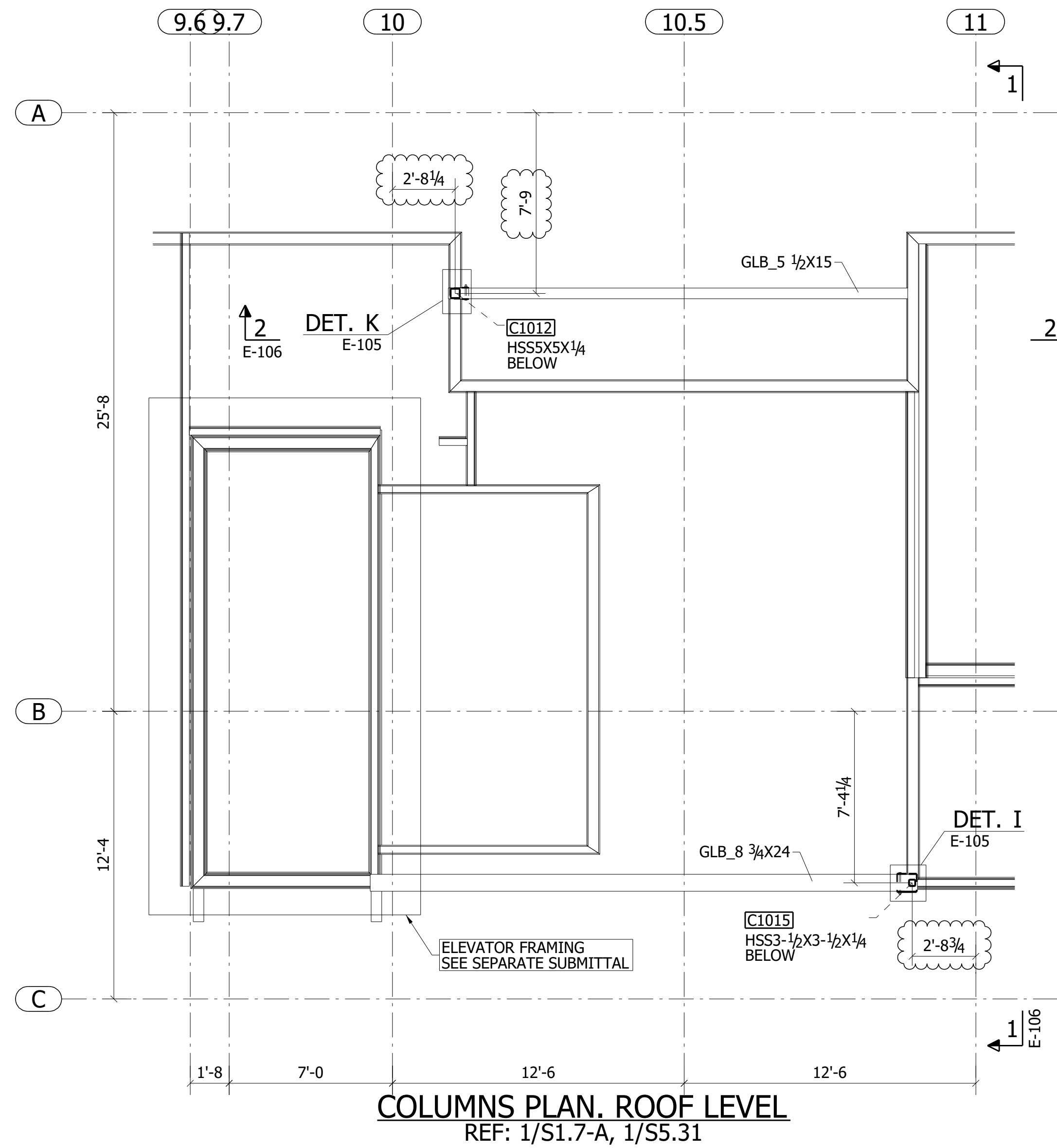


S - S
REF: 3/S5.11

APR'R VERIFY
ALL CLOUDED DIMS

WORK THIS SHEET WITH SHEET E-101, E-102, E-104, E-105, E-106

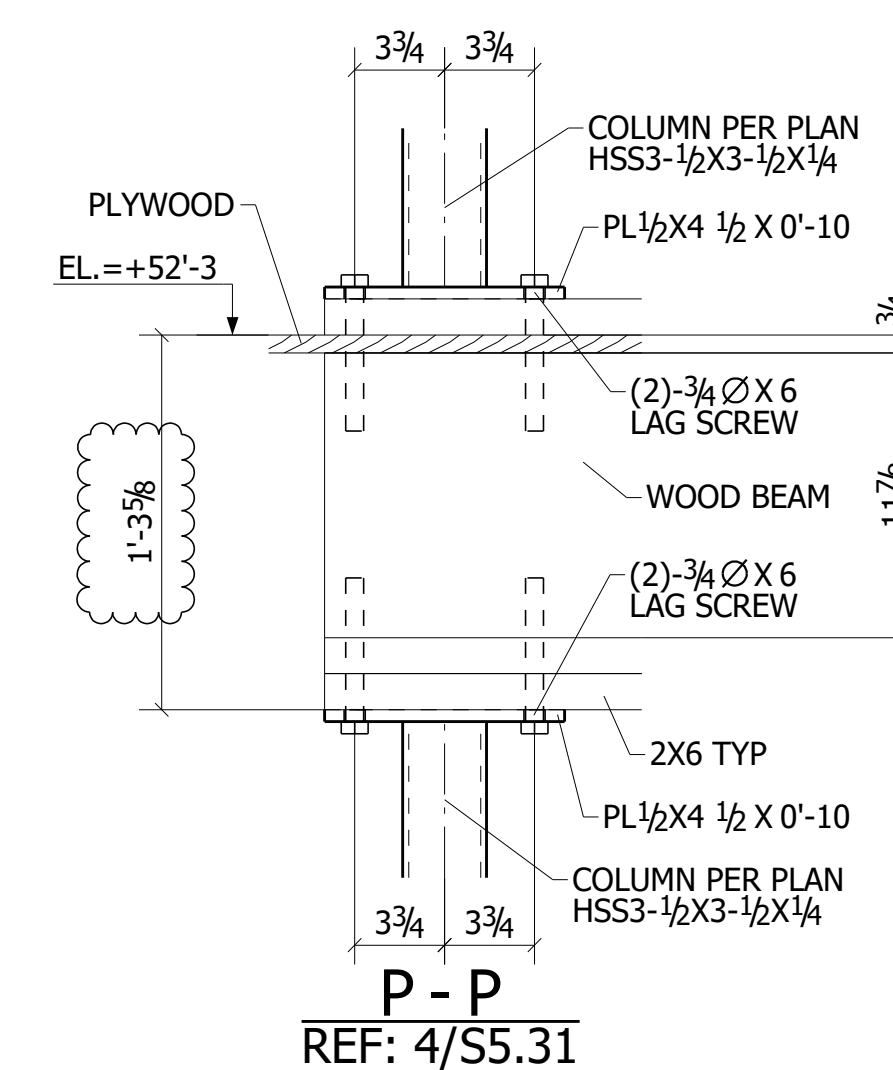
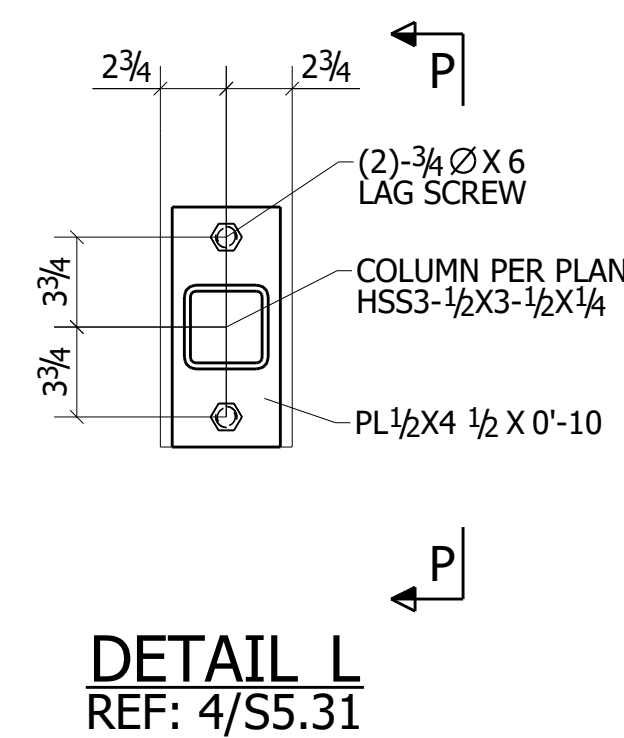
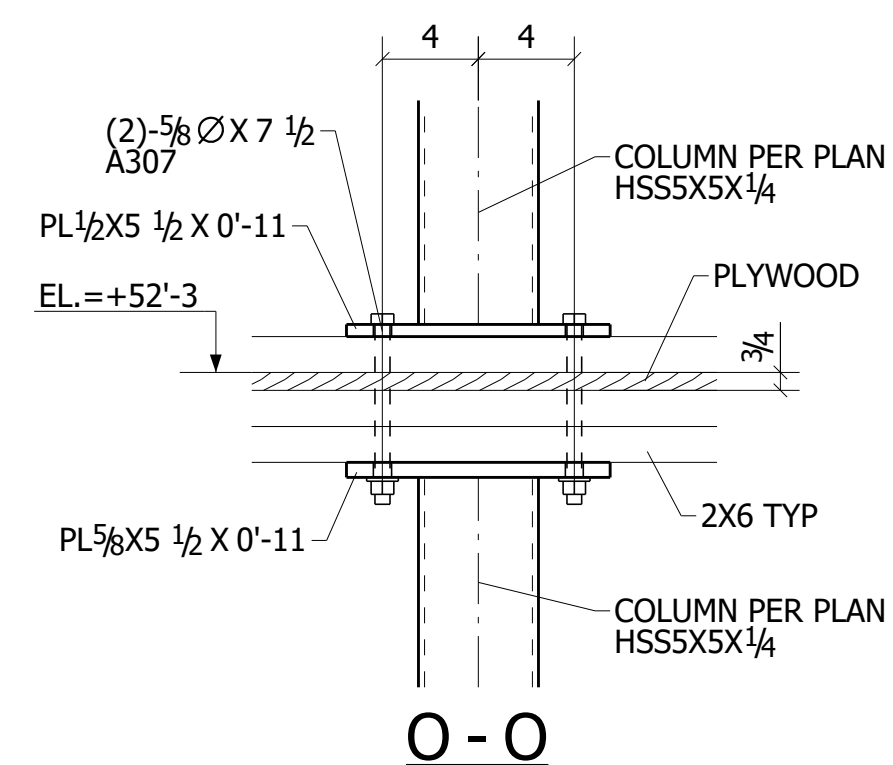
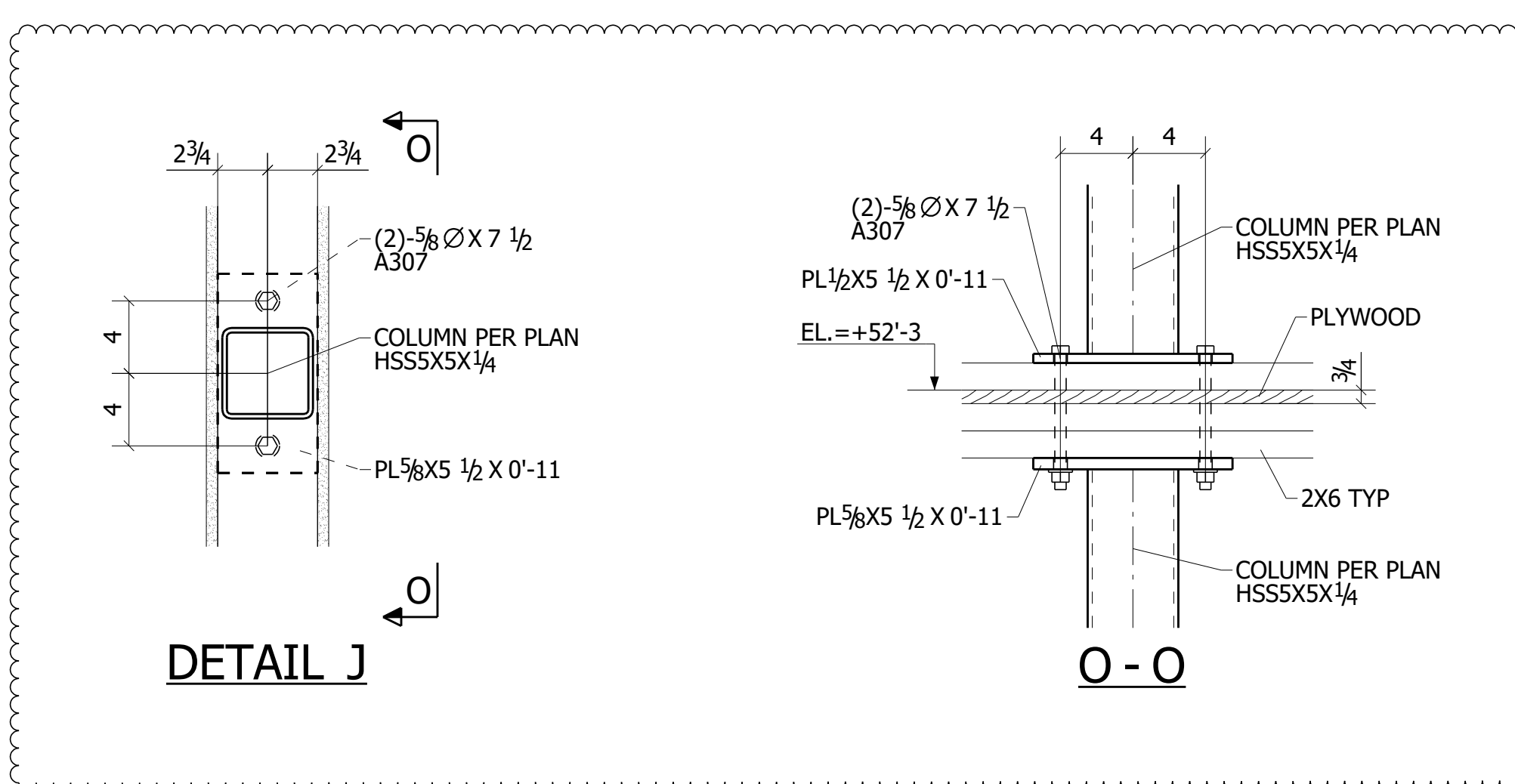
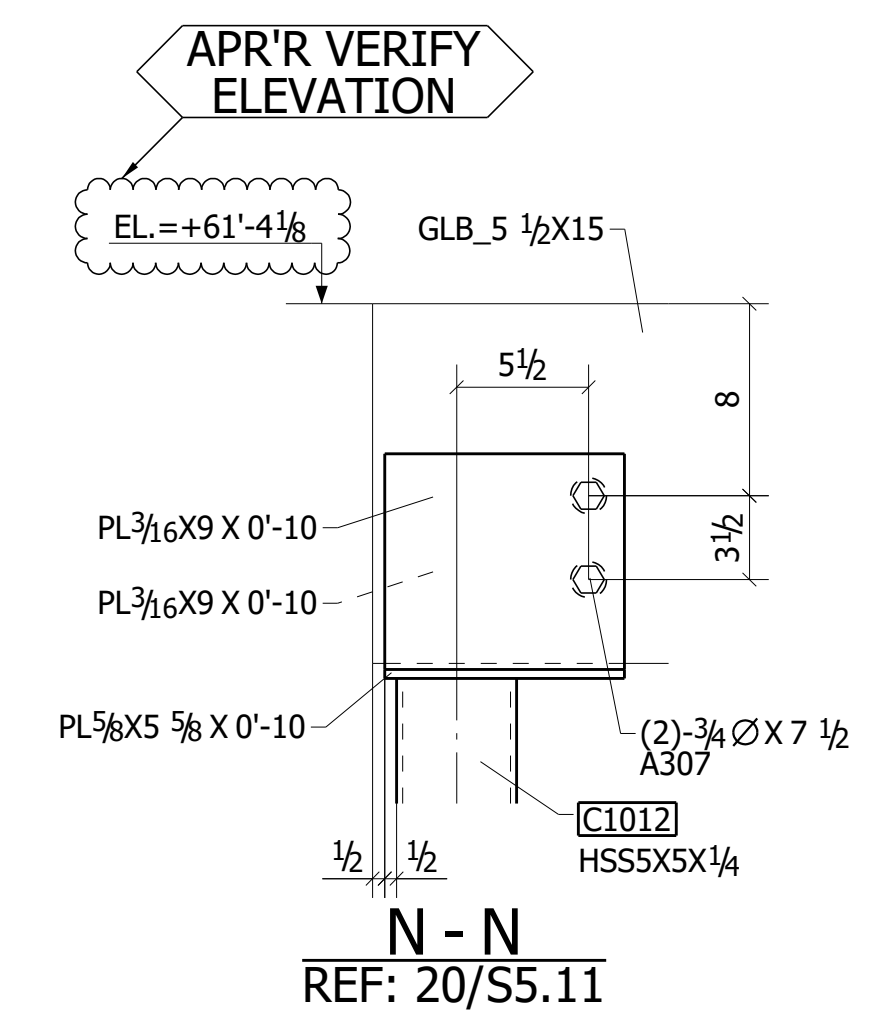
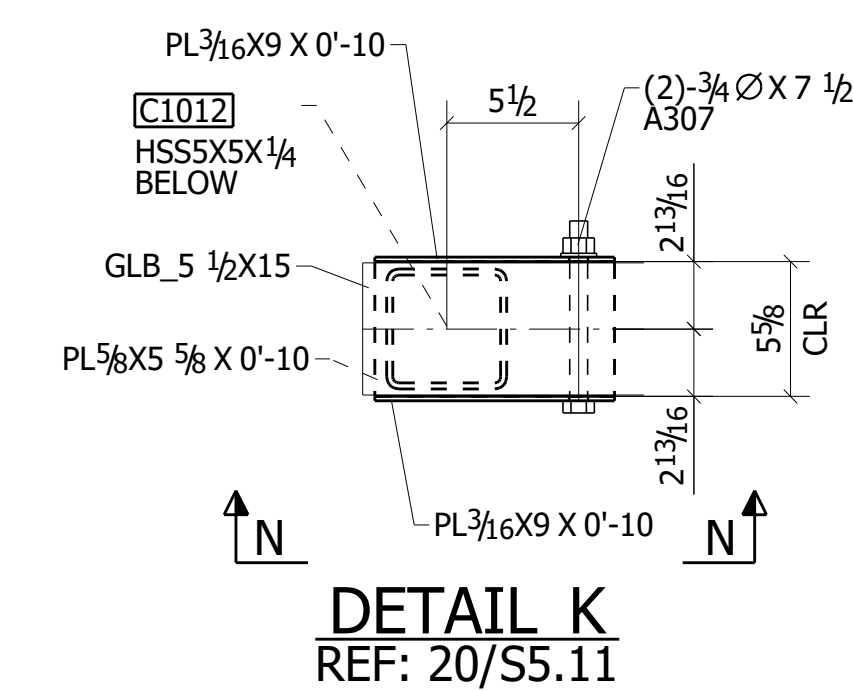
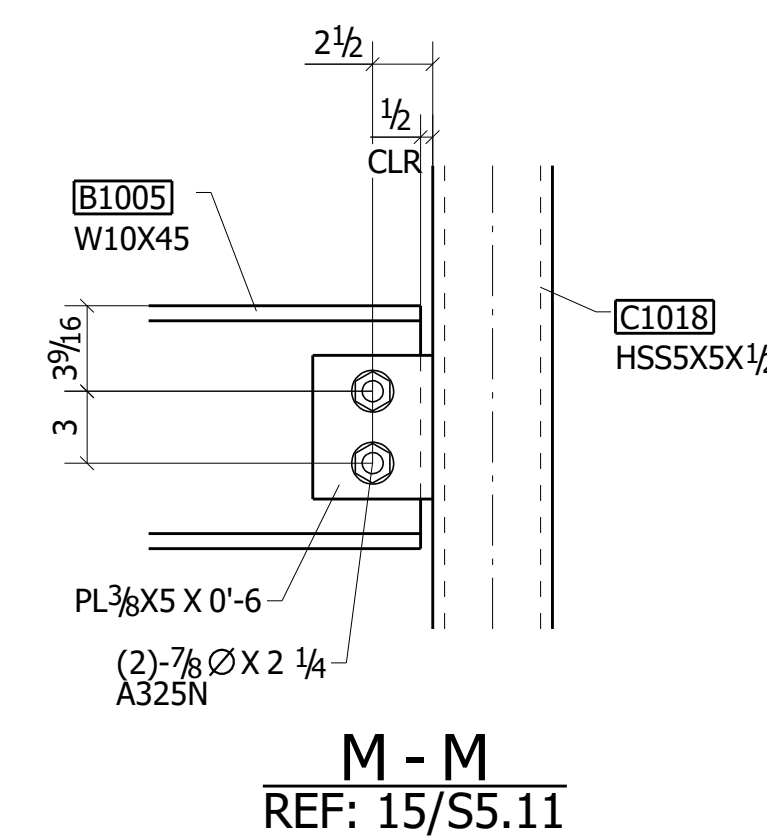
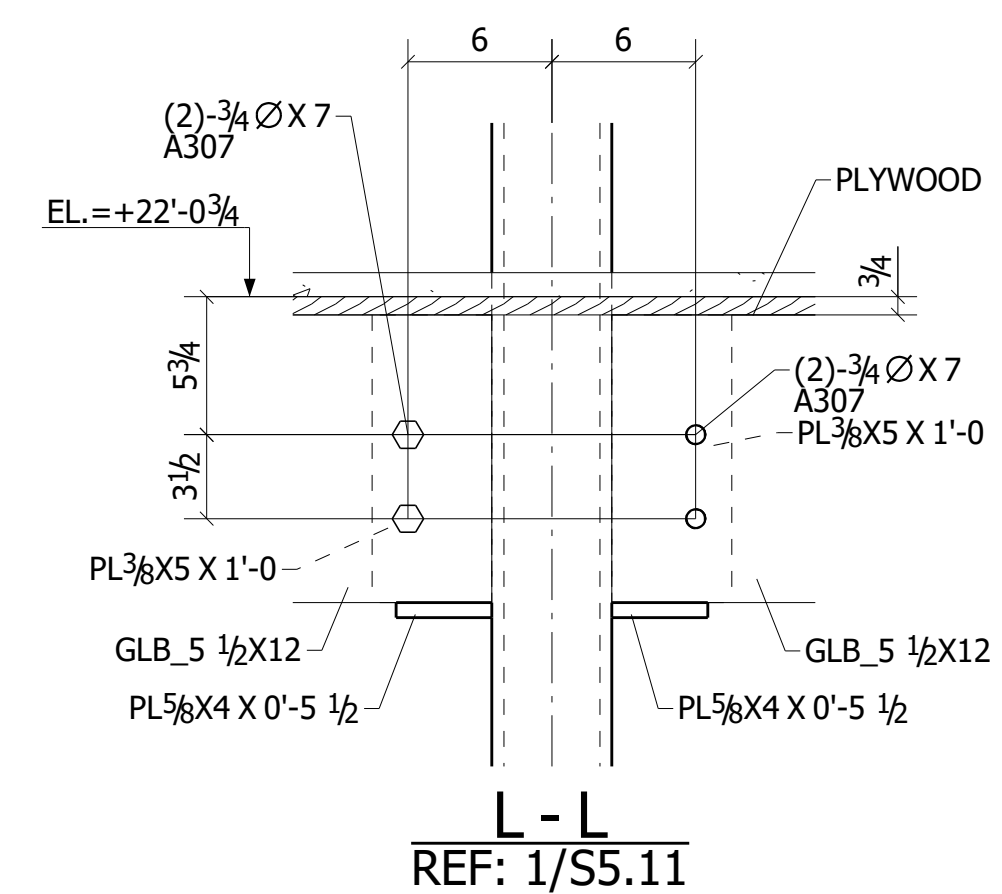
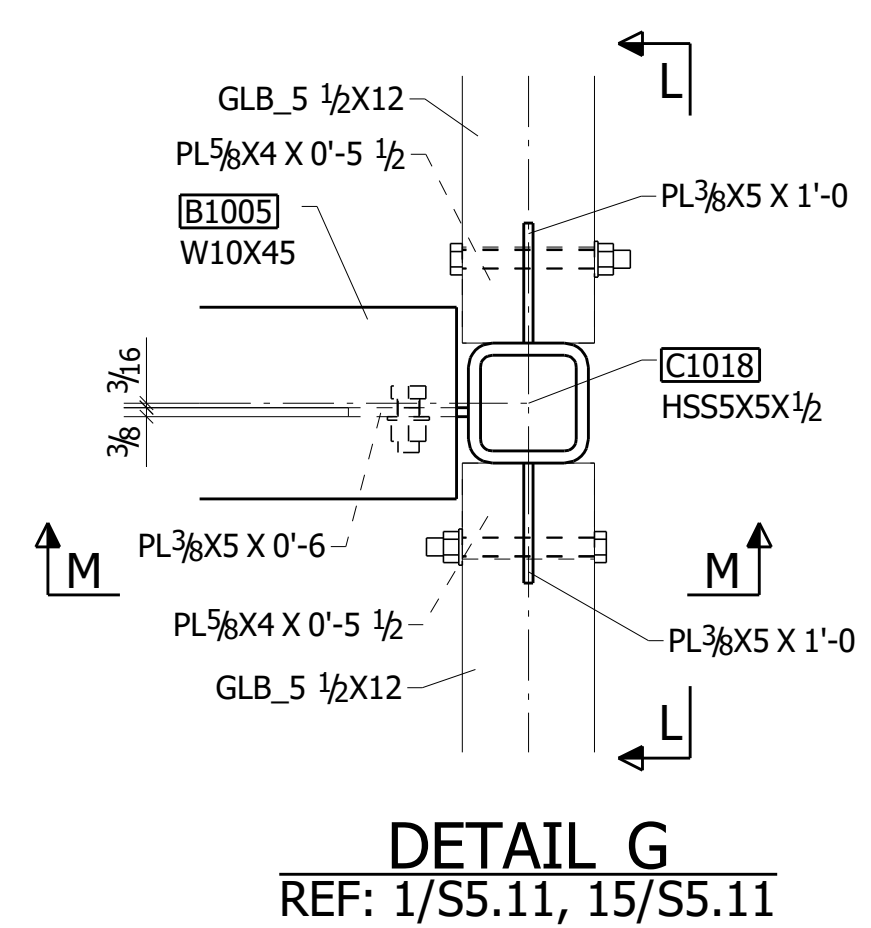
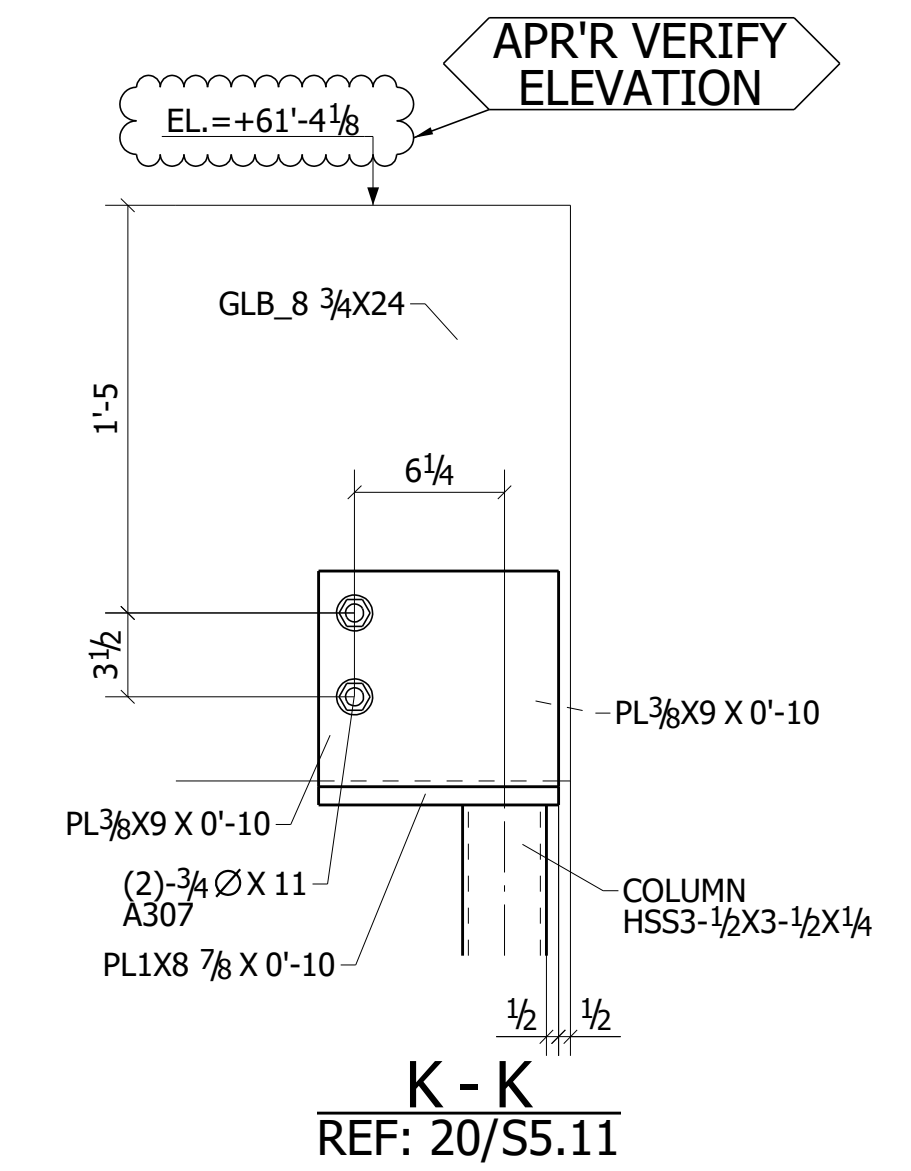
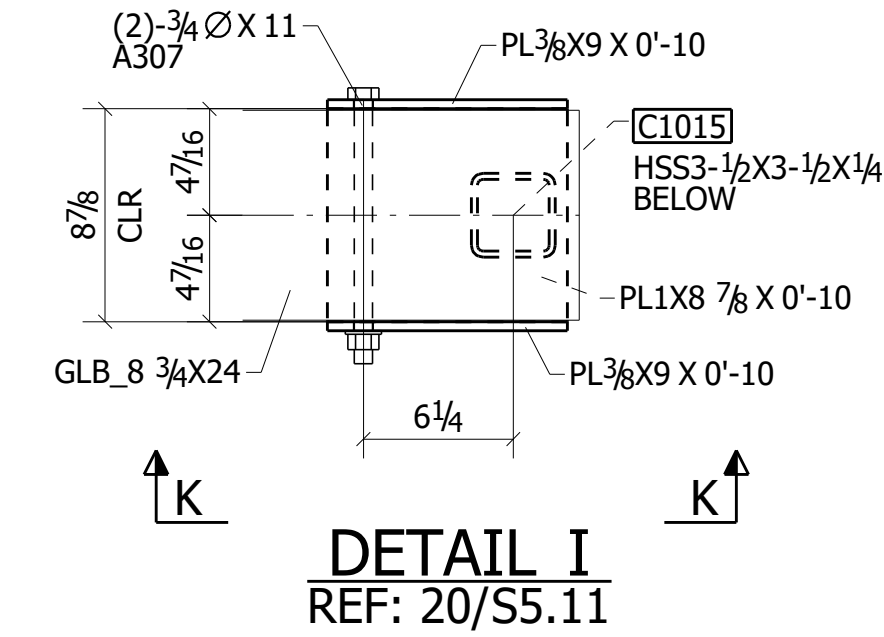
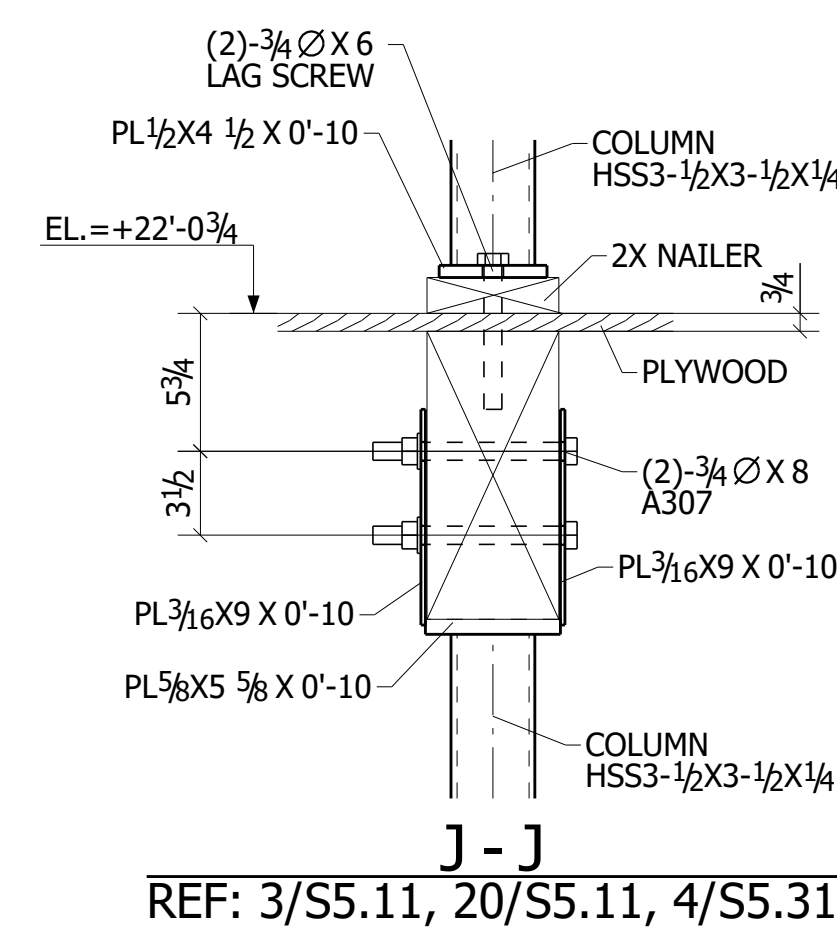
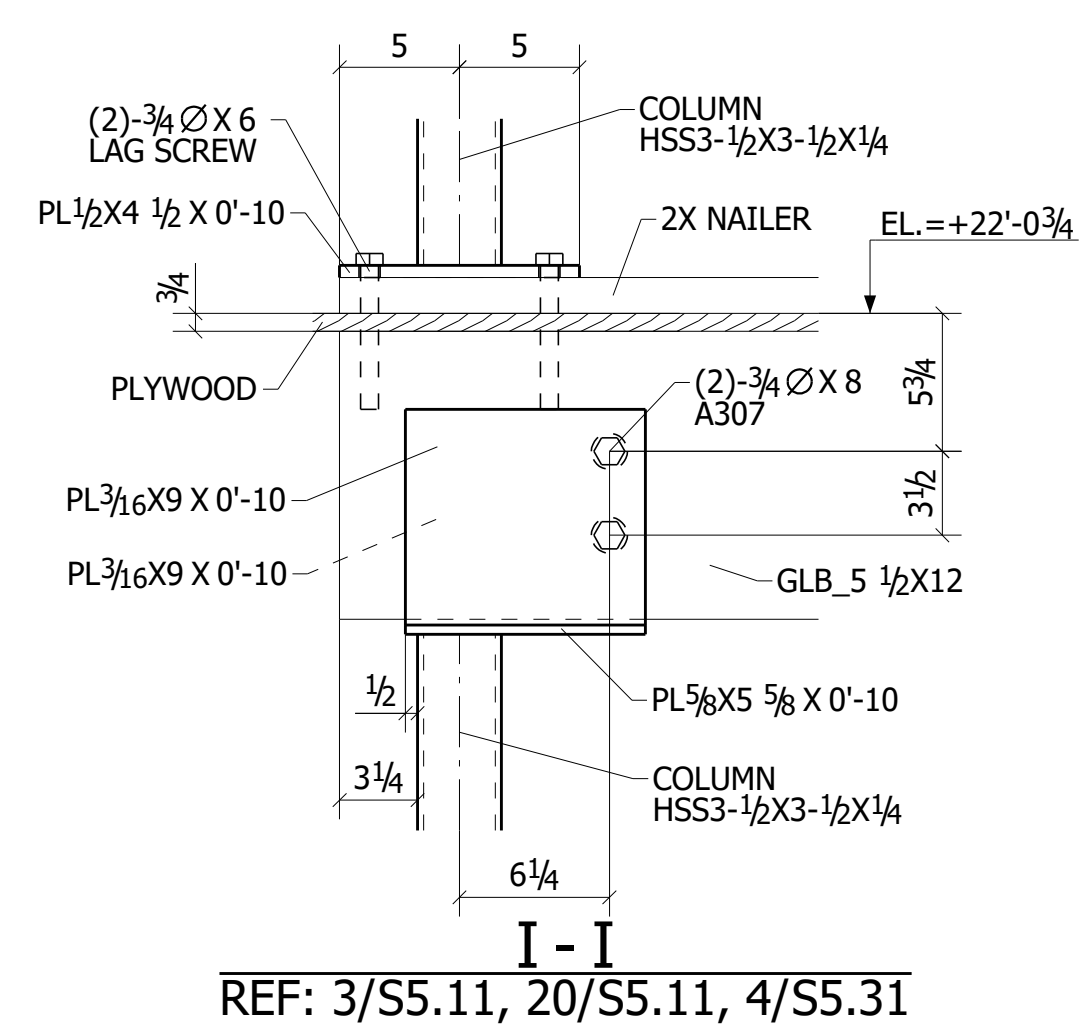
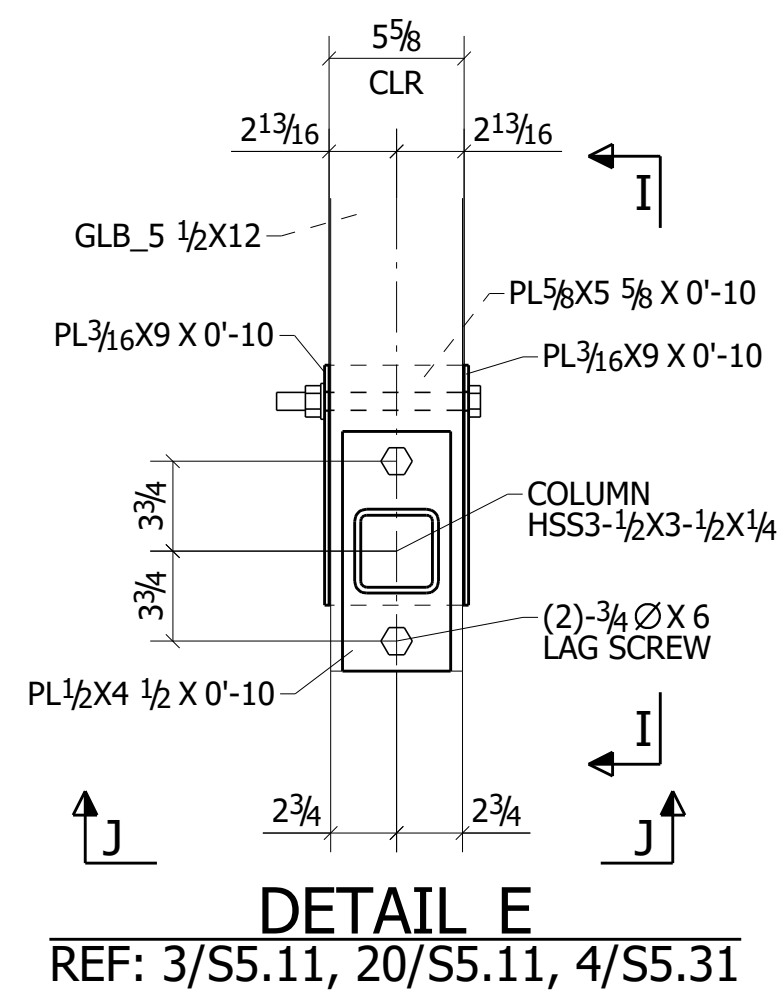
REV.	DATE	DESCRIPTION	BY
A	12/07/2023	ISSUED FOR APPROVAL	YL
VERIFICATION OF DIMENSIONS, DETAILS AND ETC. ARE REQUESTED, WHERE INDICATED. IF EACH VERIFICATION IS NOT NOTED OTHERWISE, IT WILL BE ASSUMED TO BE CORRECT AS SHOWN.			
PROJECT:			
LOCATION:			
CONTRACTOR:			
ENGINEER:			
DETAILER:			
COLUMNS PLAN, LEVEL 4, LEVEL 5			
DRAWN BY:	CHKD. BY:	JOB No.:	SHEET No.:
YL	PB	23-2661	E-103
REV.:			
A			



APR'R VERIFY ALL CLOUDED DIMS

WORK THIS SHEET WITH SHEET E-101, E-102, E-103, E-105, E-106

REV.	DATE	ISSUED FOR APPROVAL	YL
		DESCRIPTION	BY
VERIFICATION OF DIMENSIONS, DETAILS AND ETC. ARE REQUESTED, WHERE INDICATED. IF EACH VERIFICATION IS NOT NOTED OTHERWISE, IT WILL BE ASSUMED TO BE CORRECT AS SHOWN.			
PROJECT:			
LOCATION:			
CONTRACTOR:			
ENGINEER:			
DETAILER:		PARTIAL FRAMING PLAN, ROOF LEVEL, DETAILS	
DRAWN BY:	CHKD. BY:	JOB No.:	SHEET No.:
YL	PB	23-2661	E-104
			REV.:
			A

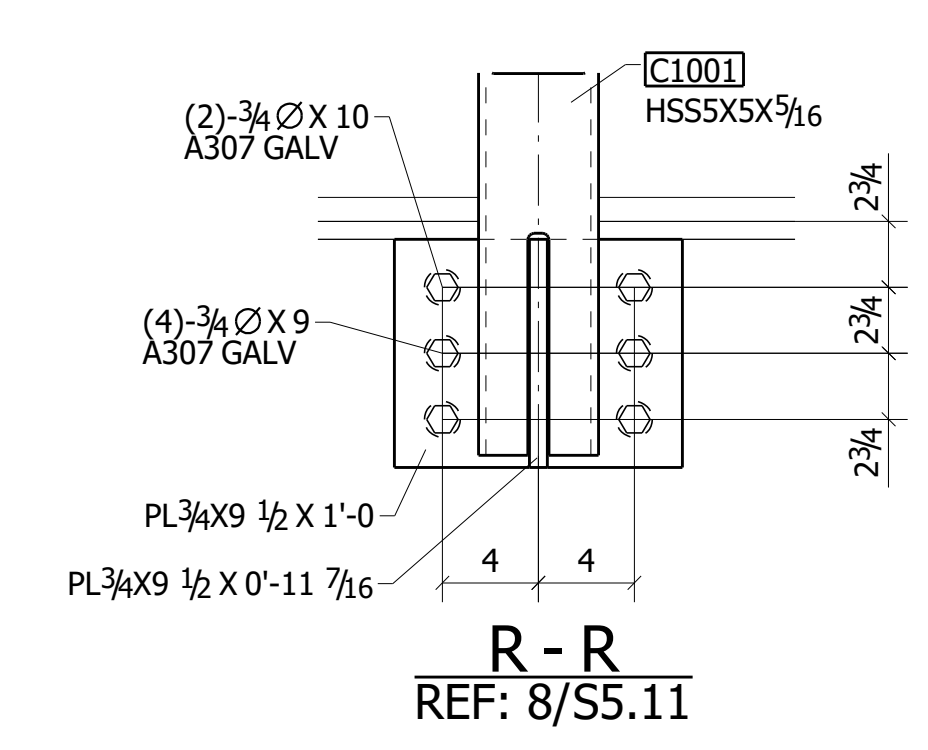
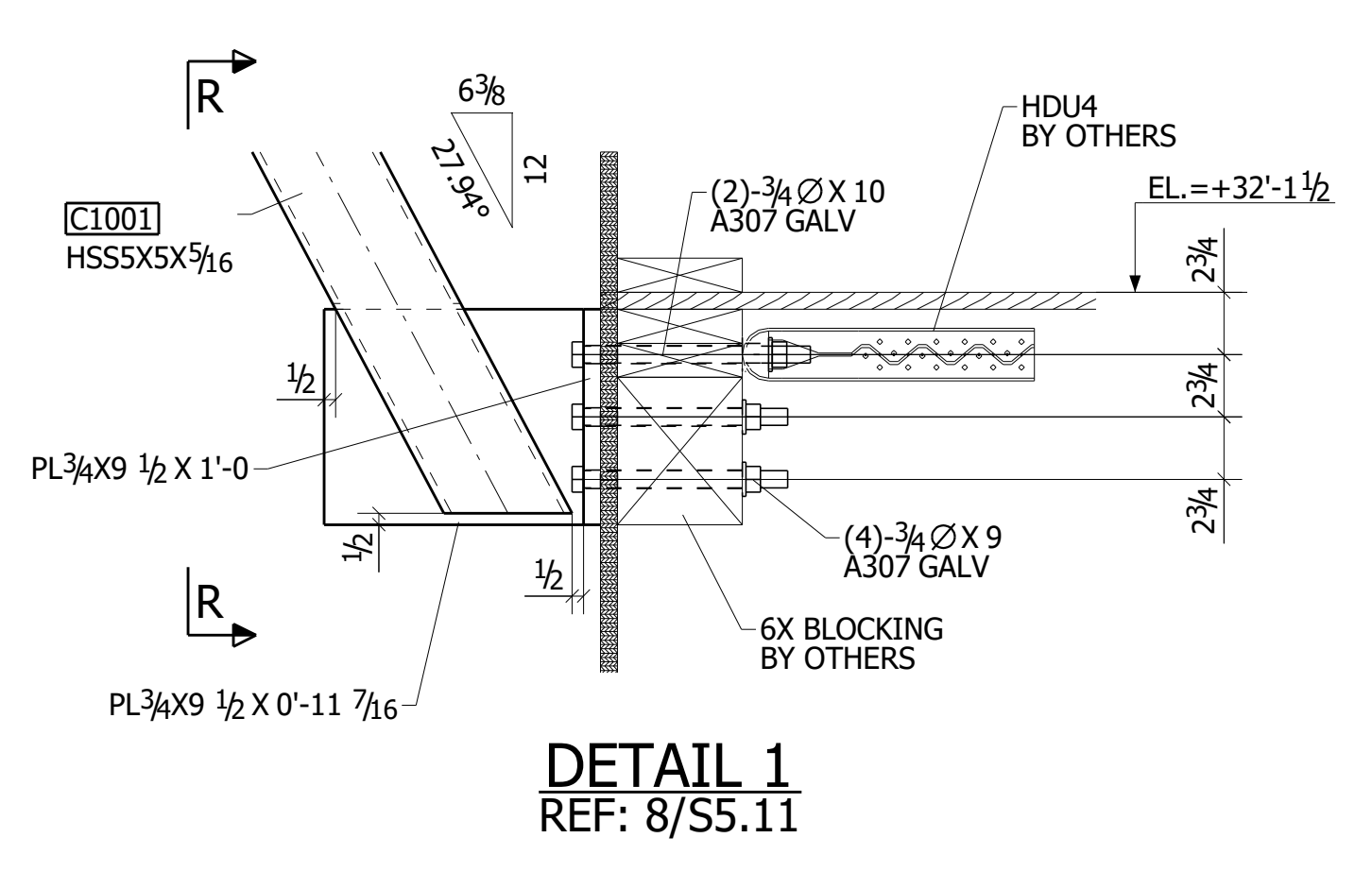
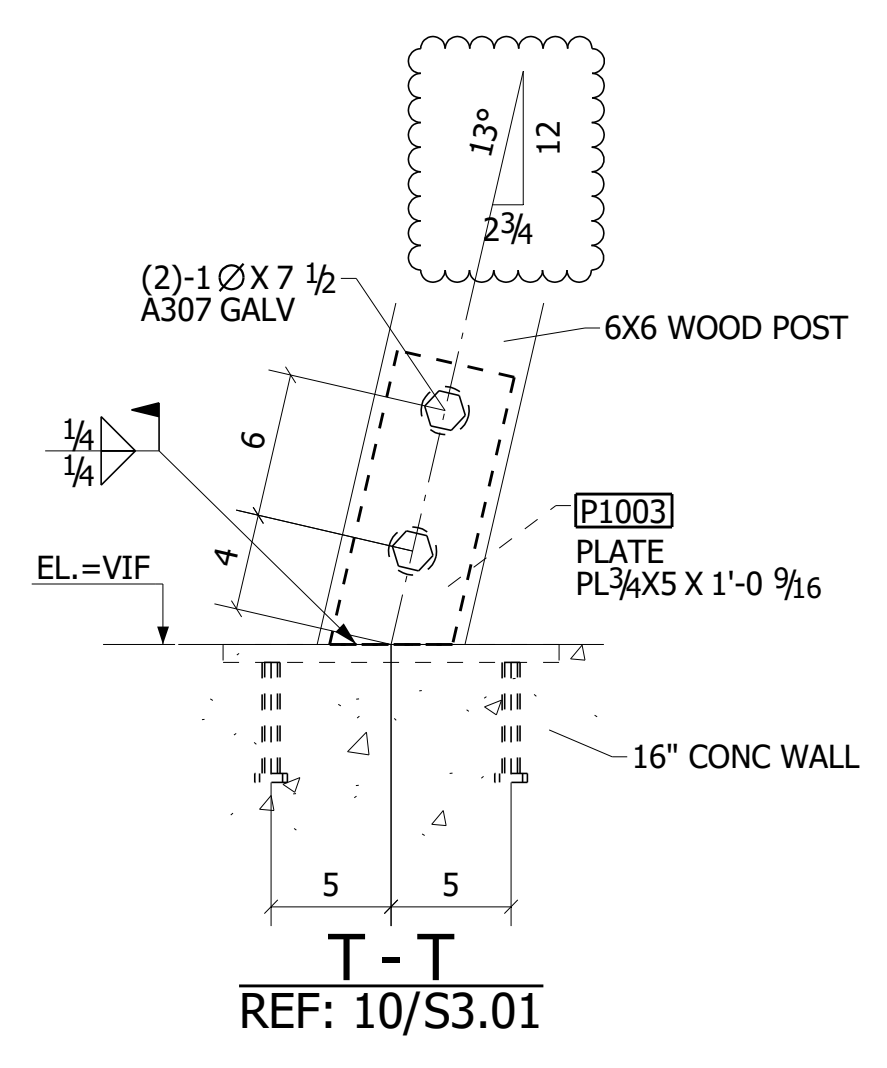
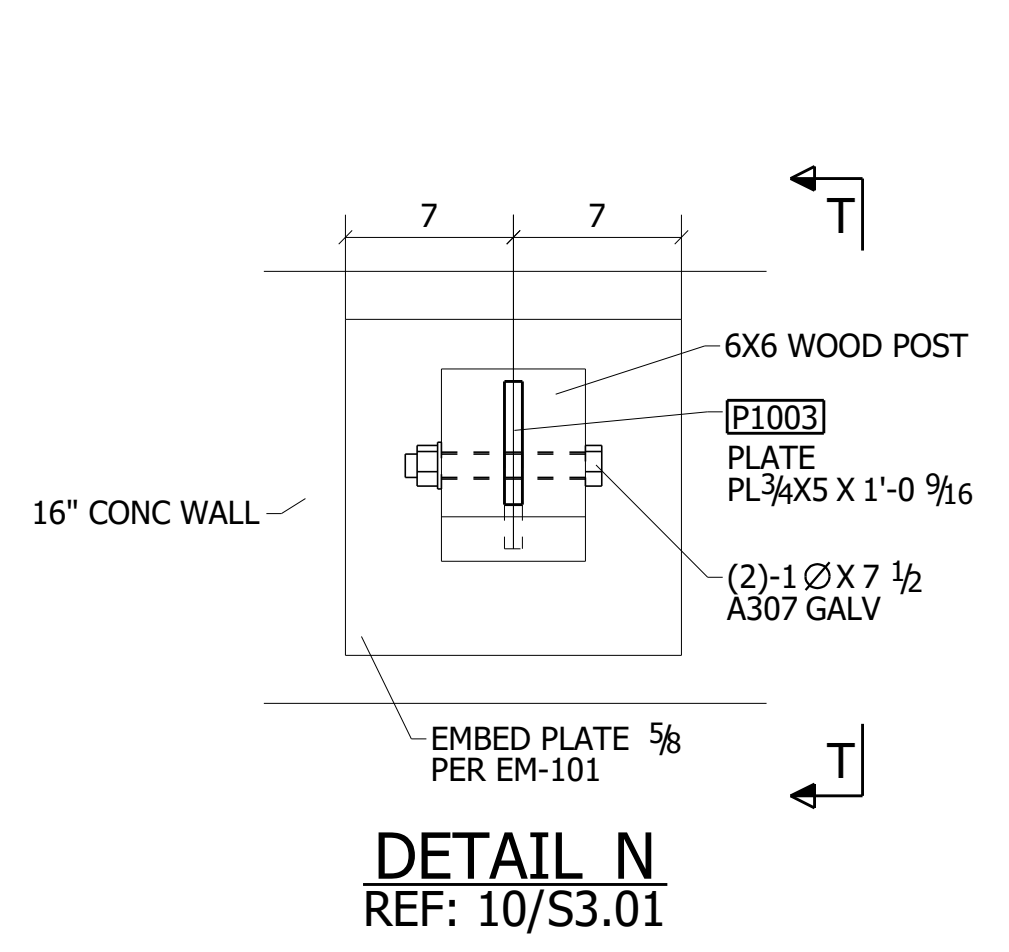
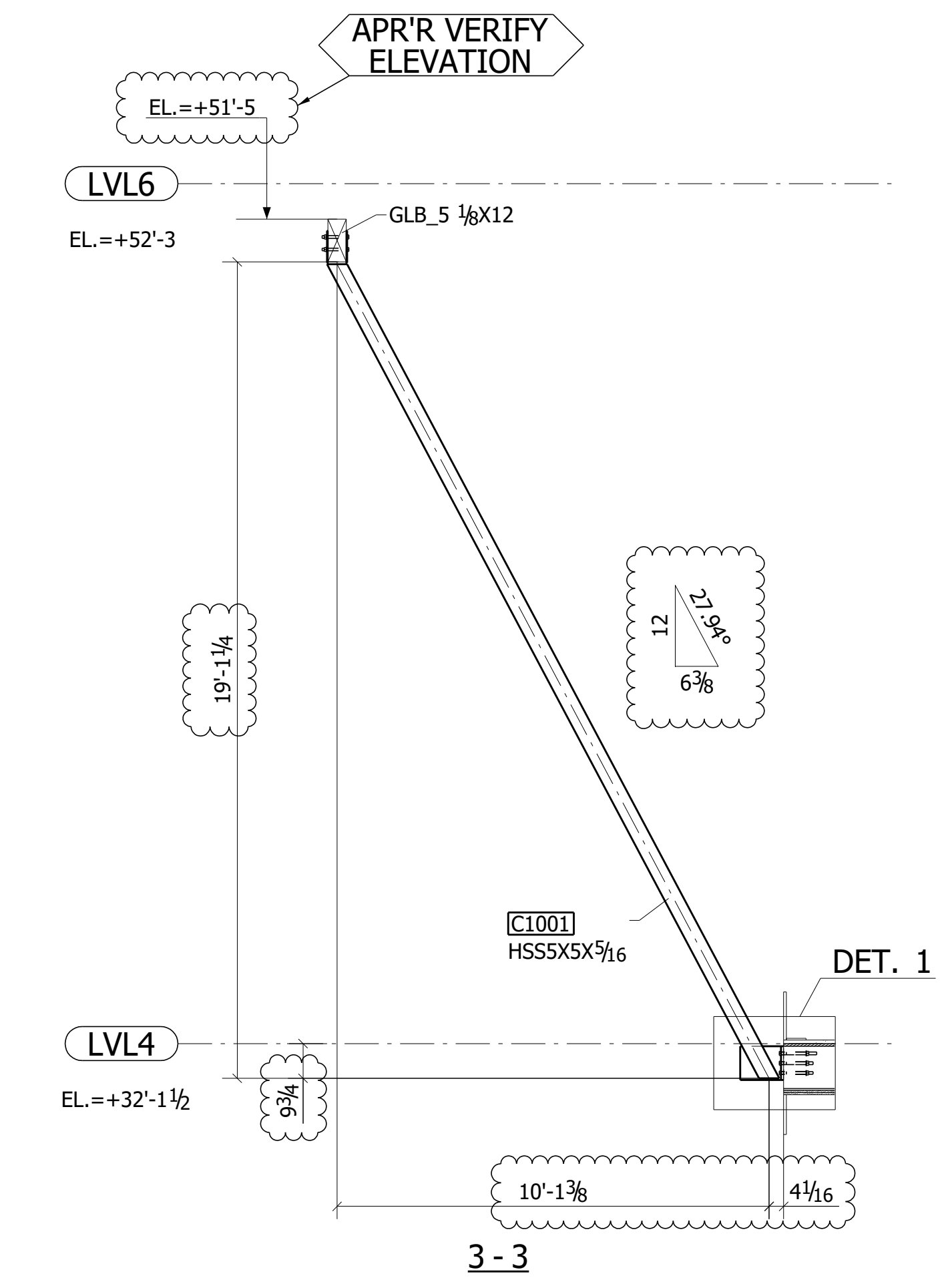
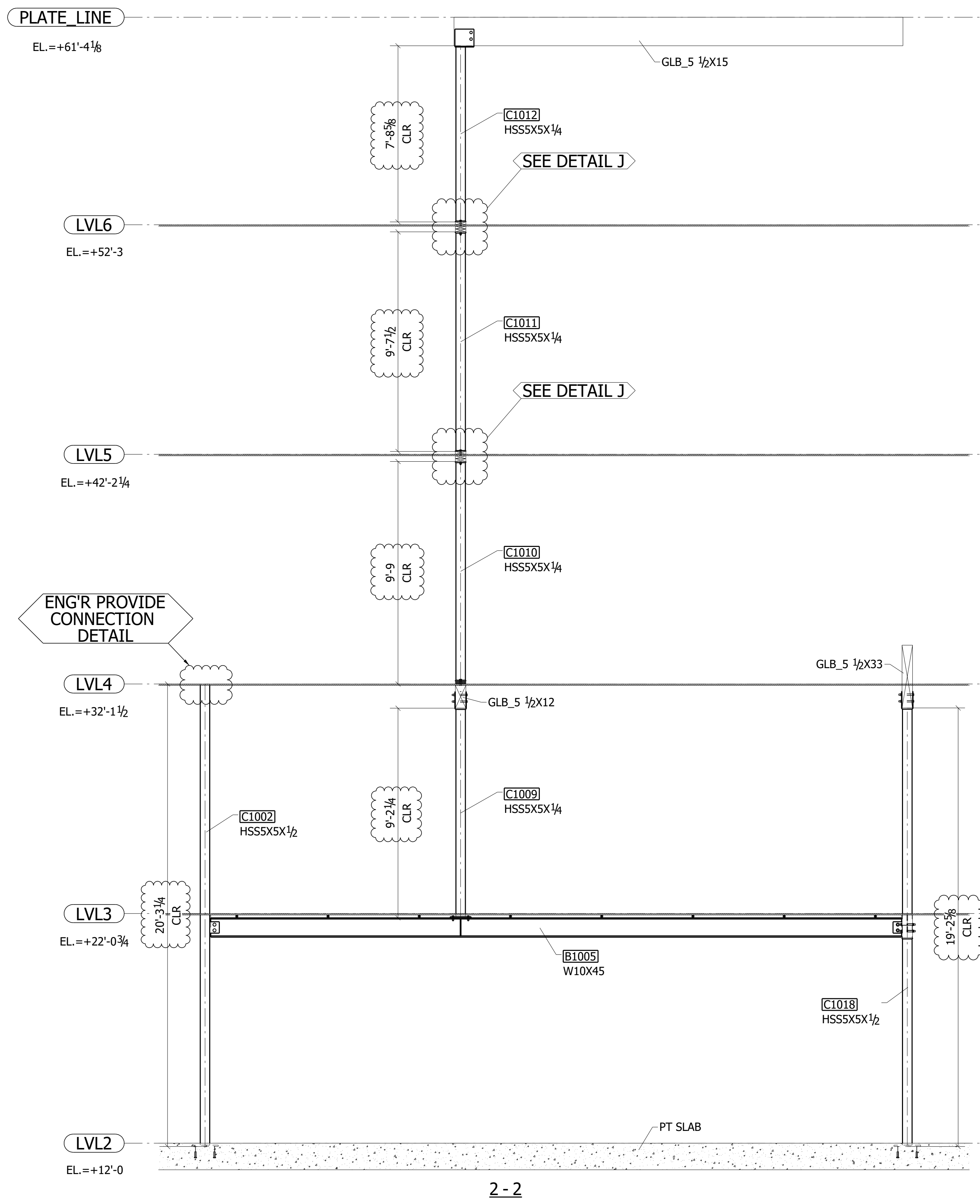
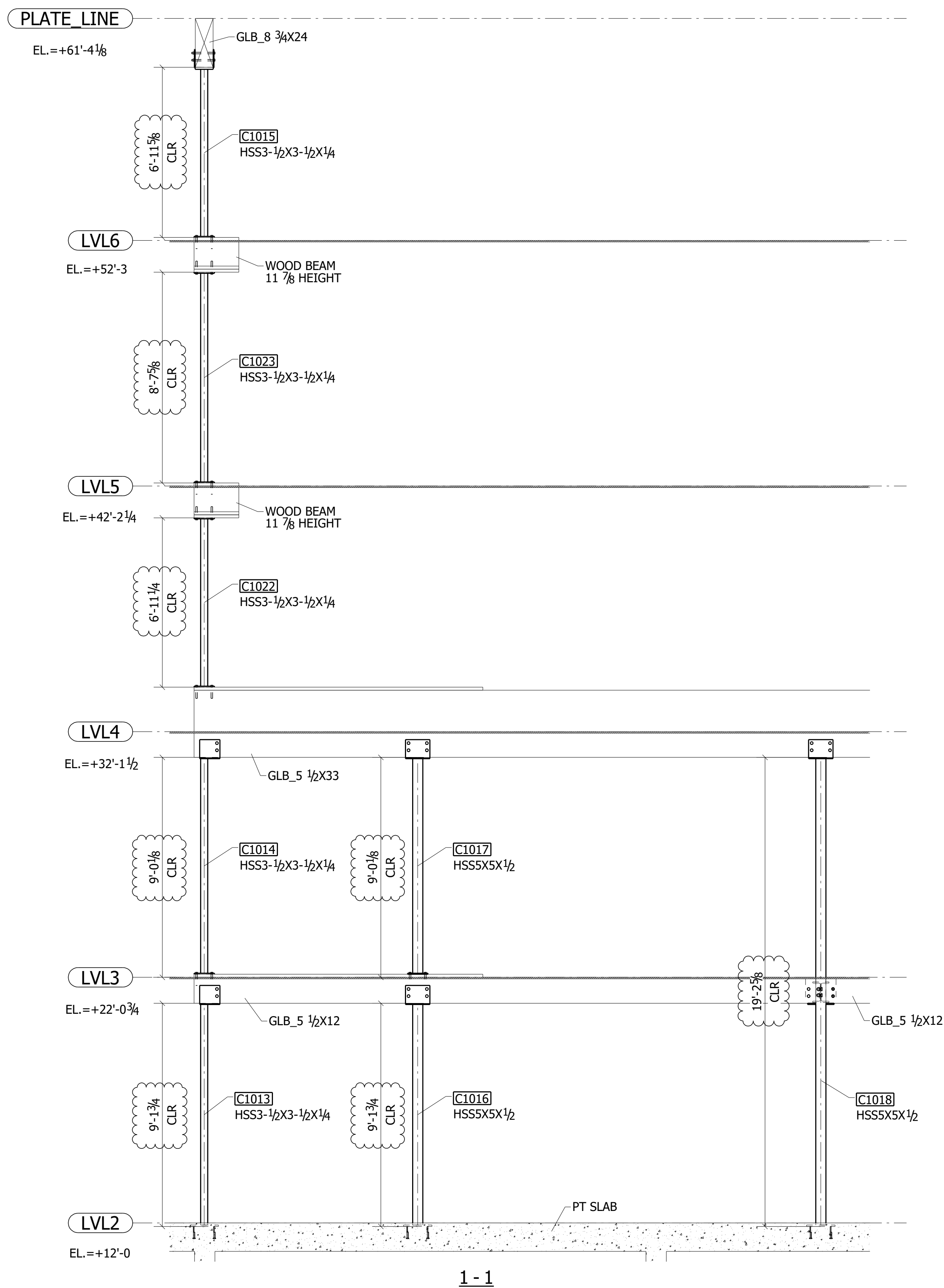


APR'R VERIFY DETAILS
APR'R NOTE: DESIGN APPEARS NOT HAVING ANY BEAMS TO SUPPORT COLUMNS. PLEASE ADVISE ON CONNECTION DETAIL

APR'R VERIFY ALL CLOUDED DIMS

WORK THIS SHEET WITH SHEET E-101, E-102, E-103, E-104, E-106

REV.	DATE	DESCRIPTION	BY
A	12/07/2023	ISSUED FOR APPROVAL	YL
VERIFICATION OF DIMENSIONS, DETAILS AND ETC. ARE REQUESTED, WHERE INDICATED. IF EACH VERIFICATION IS NOT NOTED OTHERWISE, IT WILL BE ASSUMED TO BE CORRECT AS SHOWN.			
PROJECT:			
LOCATION:			
CONTRACTOR:			
ENGINEER:			
DETAILER:			
DETAILS			
DRAWN BY:	CHKD. BY:	JOB No.:	SHEET No.:
YL	PB	23-2661	E-105
			REV.:
			A



APR'R VERIFY ALL CLOUDED DIMS

WORK THIS SHEET WITH SHEET E-101, E-102, E-103, E-104, E-105

REV.	DATE	ISSUED FOR APPROVAL	BY
		DESCRIPTION	YL
VERIFICATION OF DIMENSIONS, DETAILS AND ETC. ARE REQUESTED, WHERE INDICATED.			
IF EACH VERIFICATION IS NOT NOTED OTHERWISE, IT WILL BE ASSUMED TO BE CORRECT AS SHOWN.			
PROJECT:			
LOCATION:			
CONTRACTOR:			
ENGINEER:			
DETAILER:			
DETAILS			
DRAWN BY:	CHKD. BY:	JOB No.:	SHEET No.:
YL	PB	23-2661	E-106
			REV.:
			A