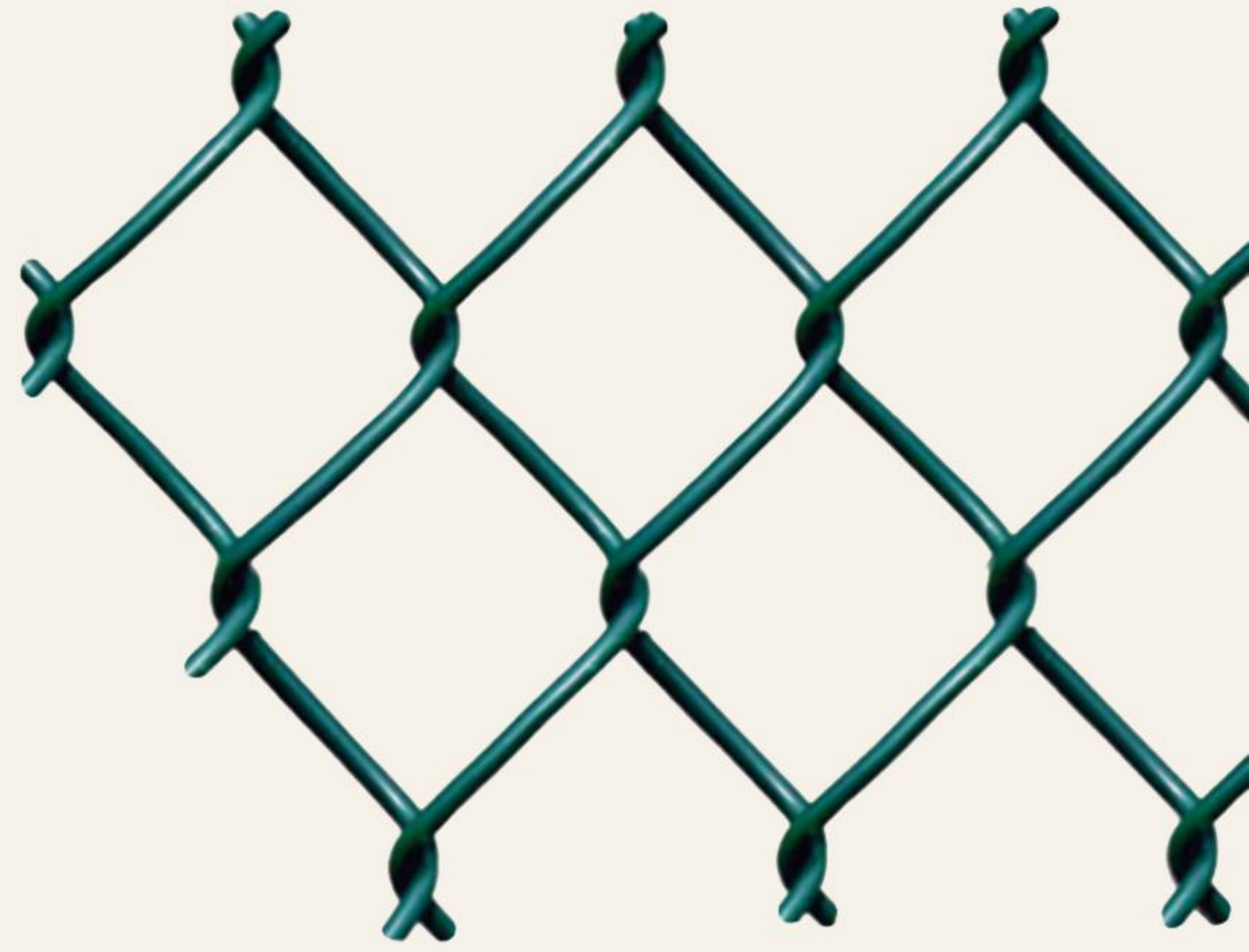


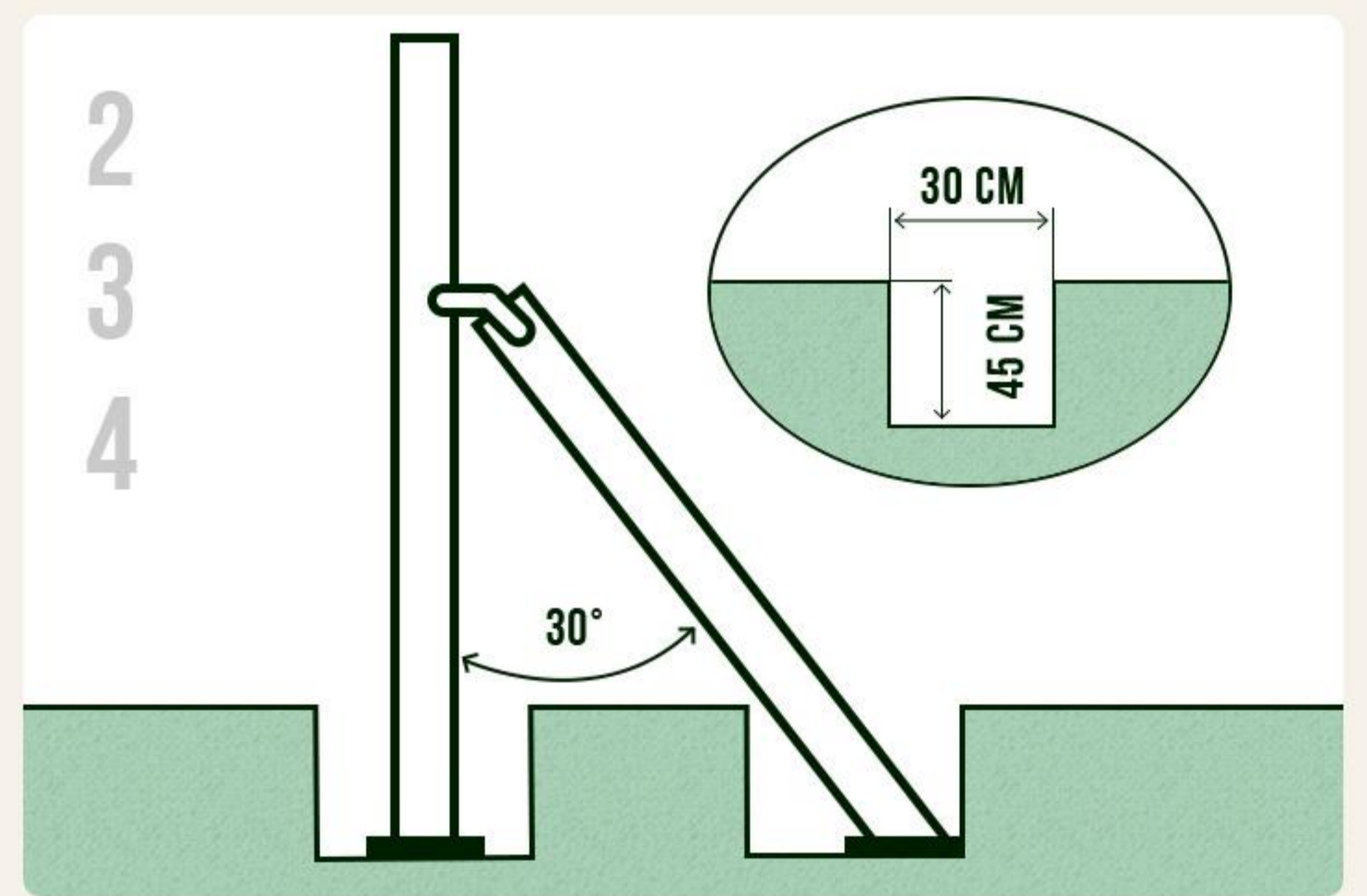
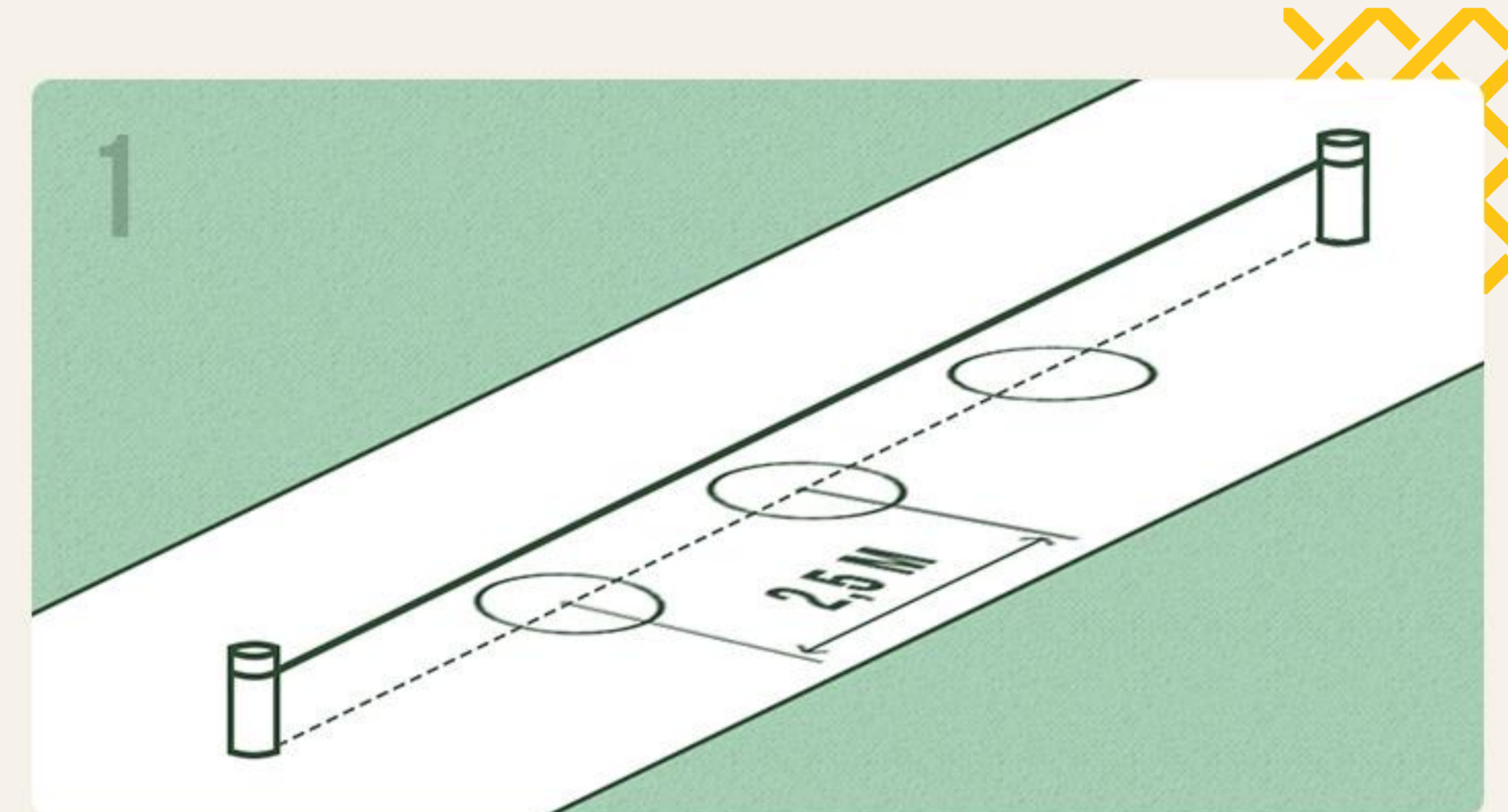
FENCING MESH INSTALLATION MANUAL



STEP 1

THE BASIS ARRANGEMENT

1. To clear the territory and make a marking for pillars installation throughout each 2-2.5 meters.
2. In marked up places dig holes of 0.5 m deep and 0.3 m in diameter.
3. Make a "basement" in the hole (brick, stone or anything that will serve as a solid foundation for the pillar).
4. Wedge open the pillars in the holes so that the angle is about 30°.



STEP 2

INSTALLATION AND PLACING

1. Concrete poles and check the vertical position on level or plumb bob.
2. Align the pillars along the line until the concrete hardening process.

The next work steps should be performed 2-3 days after pouring concrete.

3. Attach the tighteners to the outer / corner pillars.
4. Mark and tension the three wires at the tighteners level.
5. Tight up the wire to the pillars with wire holders.
6. Unfold the net and measure the needed length and height.
7. From the outermost pillar, insert the pin through the the wire cells and attach it to the column with a piece of wire or hamut
8. Lightly stretch the net with your hands and tie up at the intersection of the tighteners at intervals of 0.5 meters.

